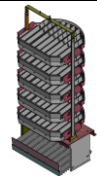


Installation manual ML 705 RotoShelf



STANDARD SET - ML 705 RotoShelf - TOP Art. No. **0148-000**

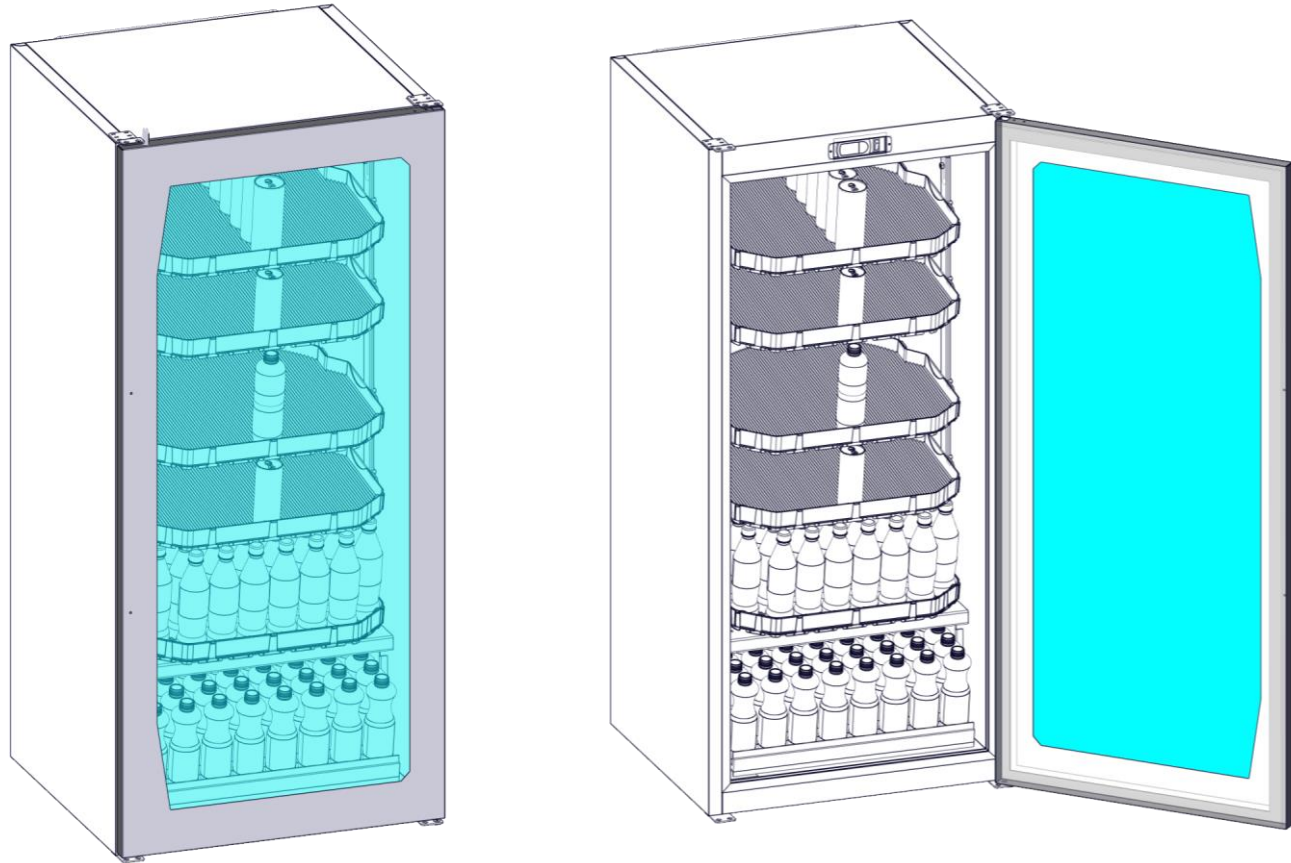
ML 705 RS packing details							PARTS						
SET Art. No.	Picture packing	Picture	Product name	Art. No.	Weight/Item	Qty	SET Art. No.	Picture packing	Picture	Product name	Art. No.	Weight/Item	Qty
1/7 0148-30000-0			Top part	0120-11006-0	1,109 kg	1	5/7 0120-29000-0			Shelf Housing	0120-29100-0	1,811 kg	1
			Profiles	0148-11000-0	7 kg	1				Shelf UNI 70 white	400418	1,195 kg	1
			Bottom part	0120-15000-0	7 kg	1				Divider Uni 70-90	400393	0,044 kg	8
			Bottom box	0148-03000-0	7 kg	1				Frontstopper UNI 70 - H 100	0070-00100	0,210 kg	1
			Connecting mat	0148-19000-0	7 kg	1				Insert stripes; Anthracite	08-0010-1	kg	1
			Connecting mat	0148-19000-0	7 kg	1				PETG-Shelftalker 50 mm	0201-00010-0	0,030 kg	1
2/7 0148-02000-0			Shelf Universal 620 GRAY	0148-01007-0	1,455 kg	1	6/7 0120-29000-0			Shelf Housing	0120-29100-0	1,811 kg	1
			Frontstopper ML 705 - H 94	0148-0580-094	0,200 kg	1				Shelf UNI 70 white	400418	1,195 kg	1
			Price Ticket 733696-585	733696-585	0,050 kg	1				Divider Uni 70-90	400393	0,044 kg	8
			Divider Universal 620	400476	0,050 kg	10				Frontstopper UNI 70 - H 100	0070-00100	0,210 kg	1
3/7 0120-29000-0			Shelf Housing	0120-29100-0	1,811 kg	1	7/7 0120-29000-0			Shelf Housing	0120-29100-0	1,811 kg	1
			Shelf UNI 70 white	400418	1,195 kg	1				Shelf UNI 70 white	400418	1,195 kg	1
			Divider Uni 70-90	400393	0,044 kg	8				Divider Uni 70-90	400393	0,044 kg	8
			Frontstopper UNI 70 - H 100	0070-00100	0,210 kg	1				Frontstopper UNI 70 - H 100	0070-00100	0,210 kg	1
			Insert stripes; Anthracite	08-0010-1	kg	1				Insert stripes; Anthracite	08-0010-1	kg	1
			PETG-Shelftalker 50 mm	0201-00010-0	0,030 kg	1				PETG-Shelftalker 50 mm	0201-00010-0	0,030 kg	1
4/7 0120-29000-0			Shelf Housing	0120-29100-0	1,811 kg	1			Shelf Housing	0120-29100-0	1,811 kg	1	
			Shelf UNI 70 white	400418	1,195 kg	1			Shelf UNI 70 white	400418	1,195 kg	1	
			Divider Uni 70-90	400393	0,044 kg	8			Divider Uni 70-90	400393	0,044 kg	8	
			Frontstopper UNI 70 - H 100	0070-00100	0,210 kg	1			Frontstopper UNI 70 - H 100	0070-00100	0,210 kg	1	
			Insert stripes; Anthracite	08-0010-1	kg	1			Insert stripes; Anthracite	08-0010-1	kg	1	
			PETG-Shelftalker 50 mm	0201-00010-0	0,030 kg	1			PETG-Shelftalker 50 mm	0201-00010-0	0,030 kg	1	



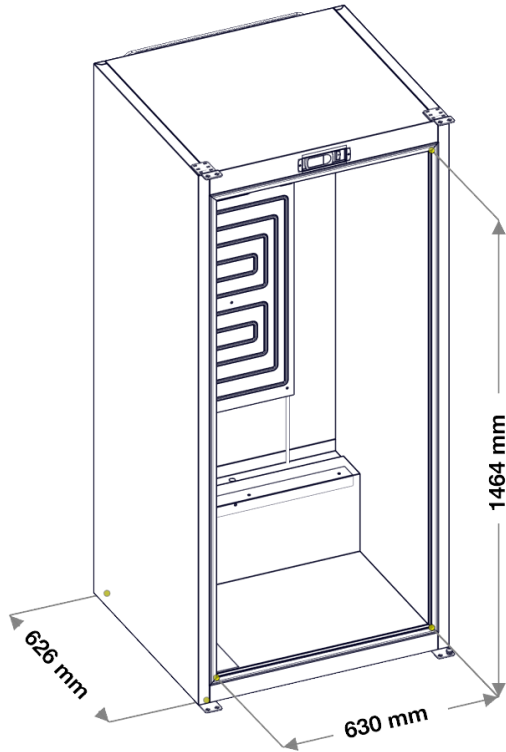
ACCESSORIES - ML 705 RS

ML 705 RS packing details					ACCESSORIES					ML 705 RS packing details					ACCESSORIES				
Picture	Product name	Art. No	Weight /item	Qty	Picture	Product name	Art. No	Weight /item	Qty	Picture	Product name	Art. No	Weight /item	Qty					
	Standard TopSlider Shelf FA ø 66(16.9oz, 500 ml)	0120-43000-0	3,400 kg	1		Price List		0,050 kg	1										
	Standard TopSlider Shelf FA ø 74(20 oz, 591 ml)	0120-32000-0	3,300 kg	1		Divider extender L=483 mm	889090	0,030 kg	1										
	PETG-Shelftalker 50 mm	0201-00010-0	0,030 kg	1		Pusher	0118-00000-0	0,050 kg	1										
	Divider UNI 70-90	400393	0,044 kg	1		Rollertrack	400392	0,150 kg	1										
	Frontstopper UNI 70 H 100 mm	0070-00100	0,210 kg	1		Divider Easyfill Uni 620	400476	0,050 kg	1										
	Frontstopper UNI 70 H 113 mm	0070-00113	0,235 kg	1		Price Ticket 733696-585	733696-585	0,050 kg	1										
	Frontstopper UNI 70 H 54 mm	400603	0,112 kg	1		Frontstopper ML705 - H 94	0148-0580-094	0,200 kg	1										
	Frontstopper UNI 70 H 163 mm	0070-00163	0,345 kg	1		Frontstopper ML705 - H 54	0148-0580-054	0,115 kg	1										
	Plastlabel RS90F11 585*37*0,8	400450	0,020 kg	1		Frontstopper ML705 - H 145	0148-0580-145	0,310 kg	1										
	Insert stripes; Anthracite	08-0010-1	? kg	1		Shelf Universal 620 GRAY	0148-01007-0	1,455 kg											
	Shelf UNI 70 white	400418	1,195 kg	1		Divider extender L=300 mm	889091	0,020 kg											
	Shelf Housing	0120-29100-0	1,811 kg	1		0000-0006	0000-0006	? kg	1										
	Plastic bearing	0000-0028	? kg	1		Plastic bearing	0000-0022	? kg	1										

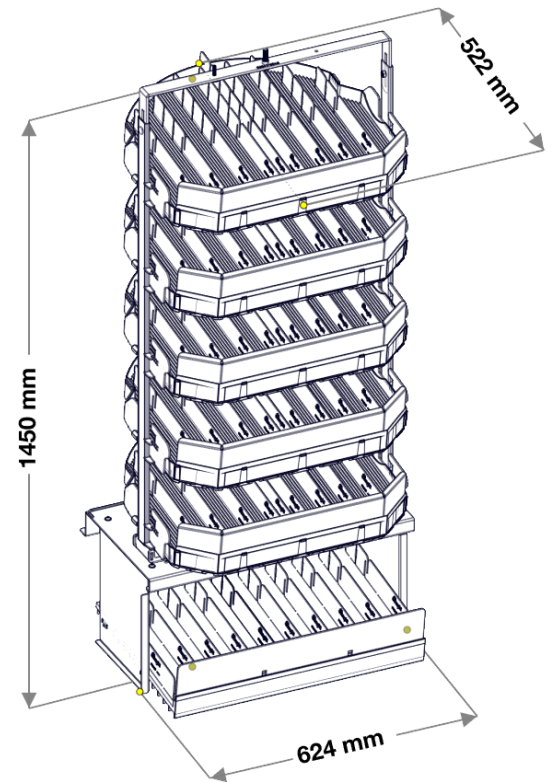
ML 705 RS



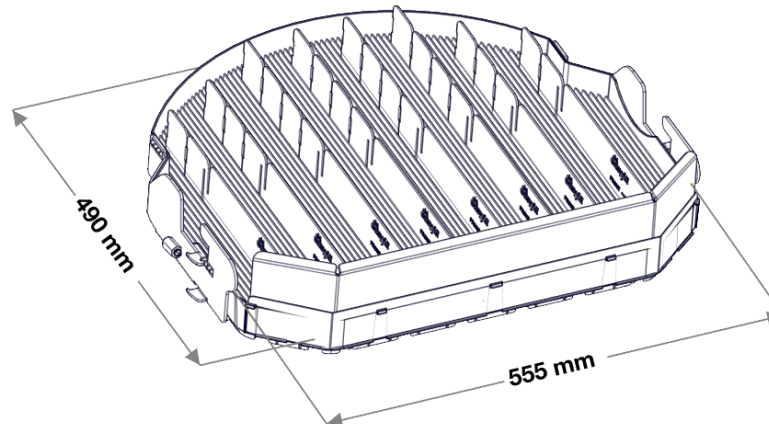
Measurement for ML 705 RS



internal cooler measurement

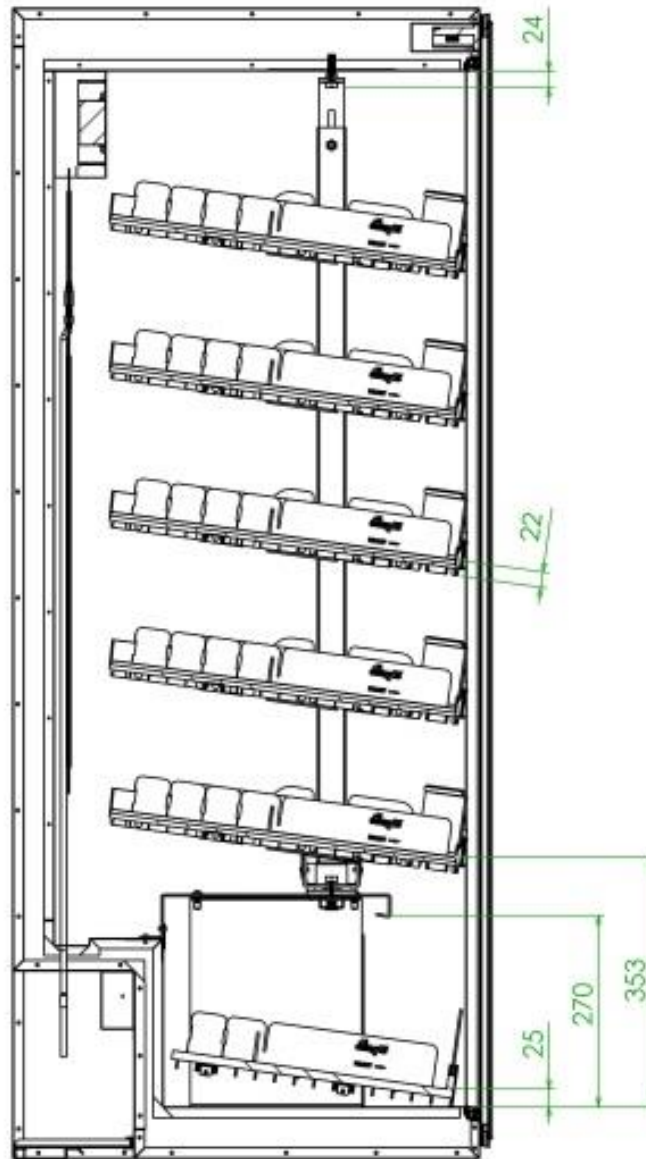


External ML 705 RS measurement

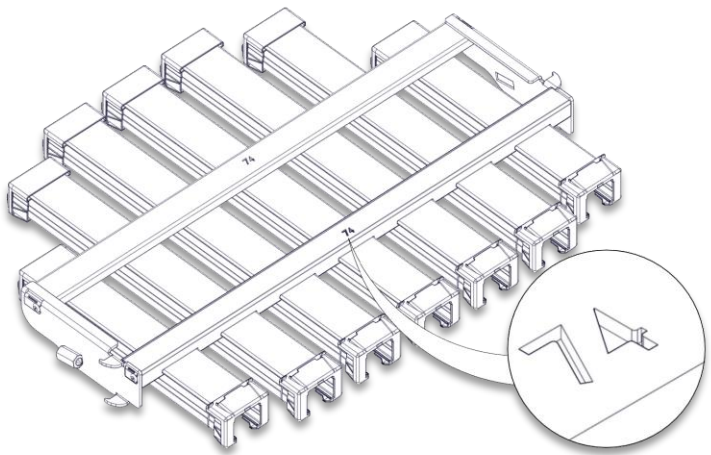


internal shelf 70 - 0120-29000-0 measurement

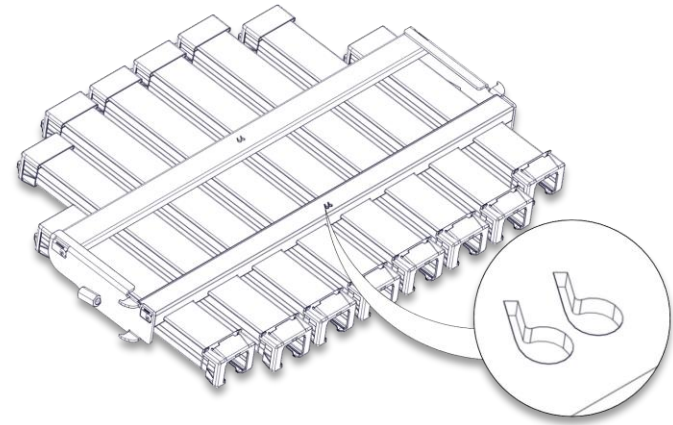
Measurement for ML 705 RS

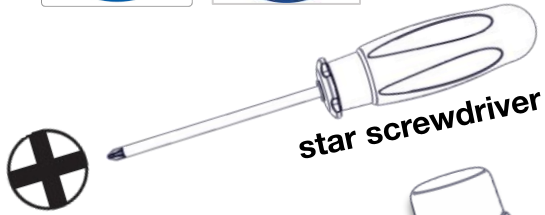
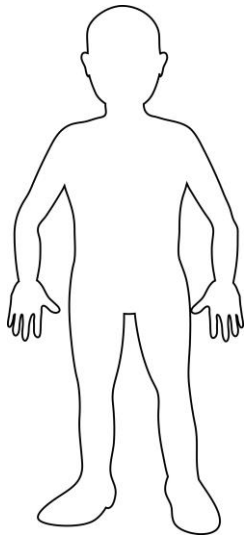


Standart - TopSlider Shelf FA
Art.N. 0120 - 32000 - 0

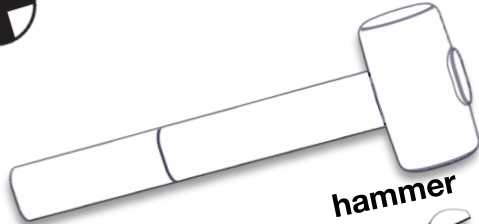


Standart - TopSlider Shelf FA
Art.N. 0120 - 43000 - 0





star screwdriver



hammer



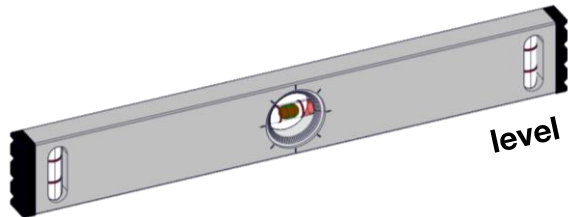
wrench 13



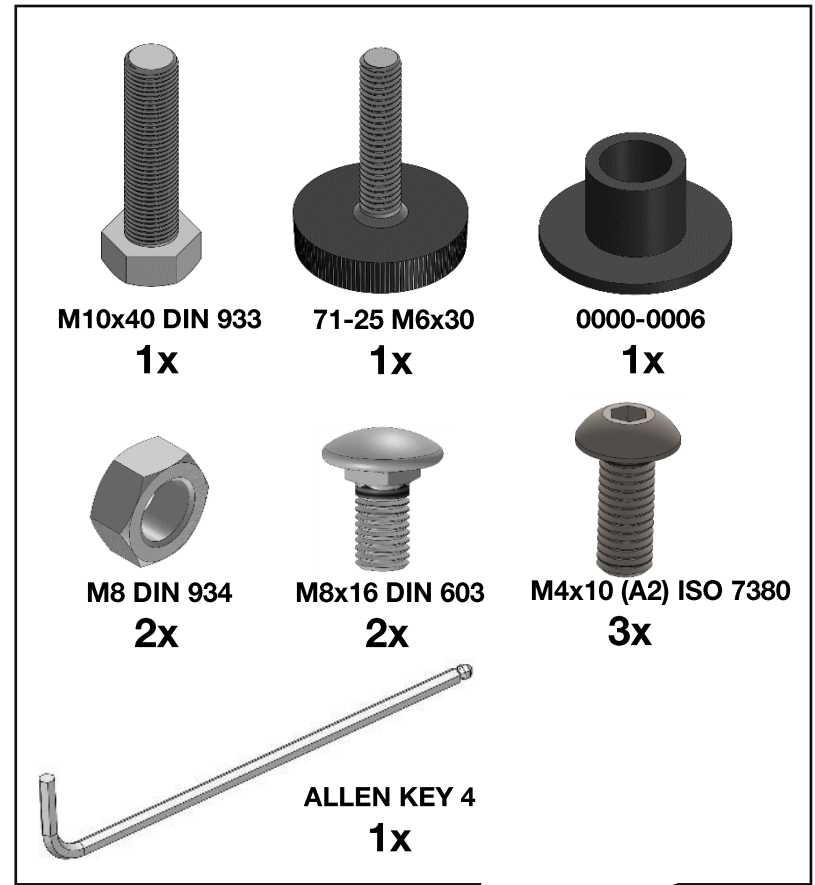
wrench 17



Loctite Super Glue



level



M10x40 DIN 933
1x

71-25 M6x30
1x

0000-0006
1x

M8 DIN 934
2x

M8x16 DIN 603
2x

M4x10 (A2) ISO 7380
3x

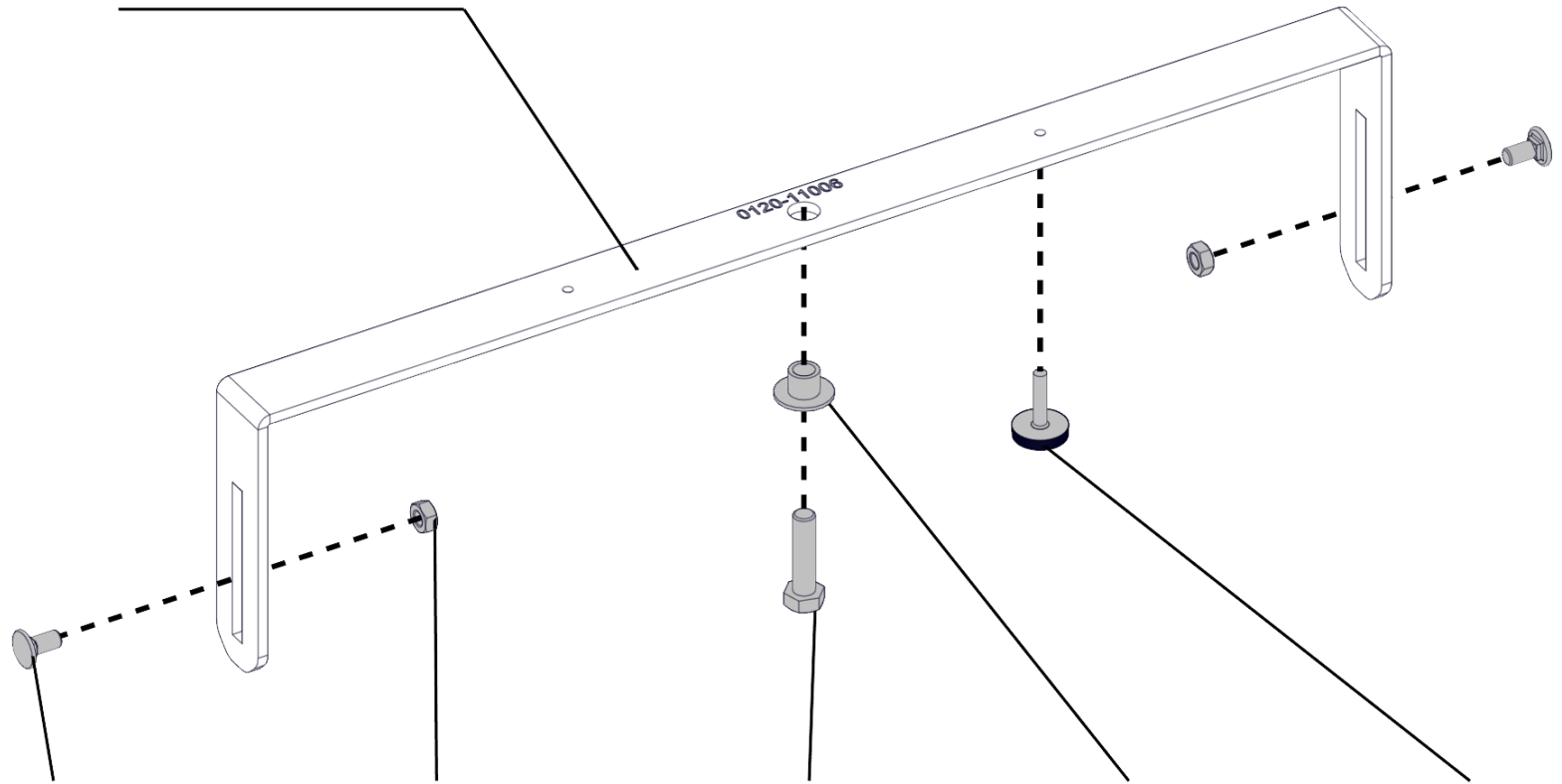
ALLEN KEY 4
1x



0148-19000-0

Installation ML 705 RS

0120-11006-0



**M8 x 16 DIN 603
(2x) A**

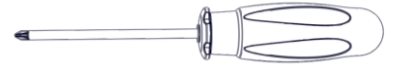
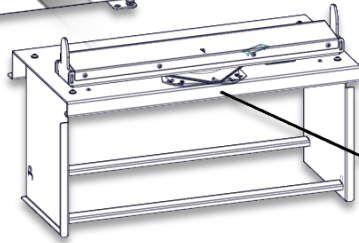
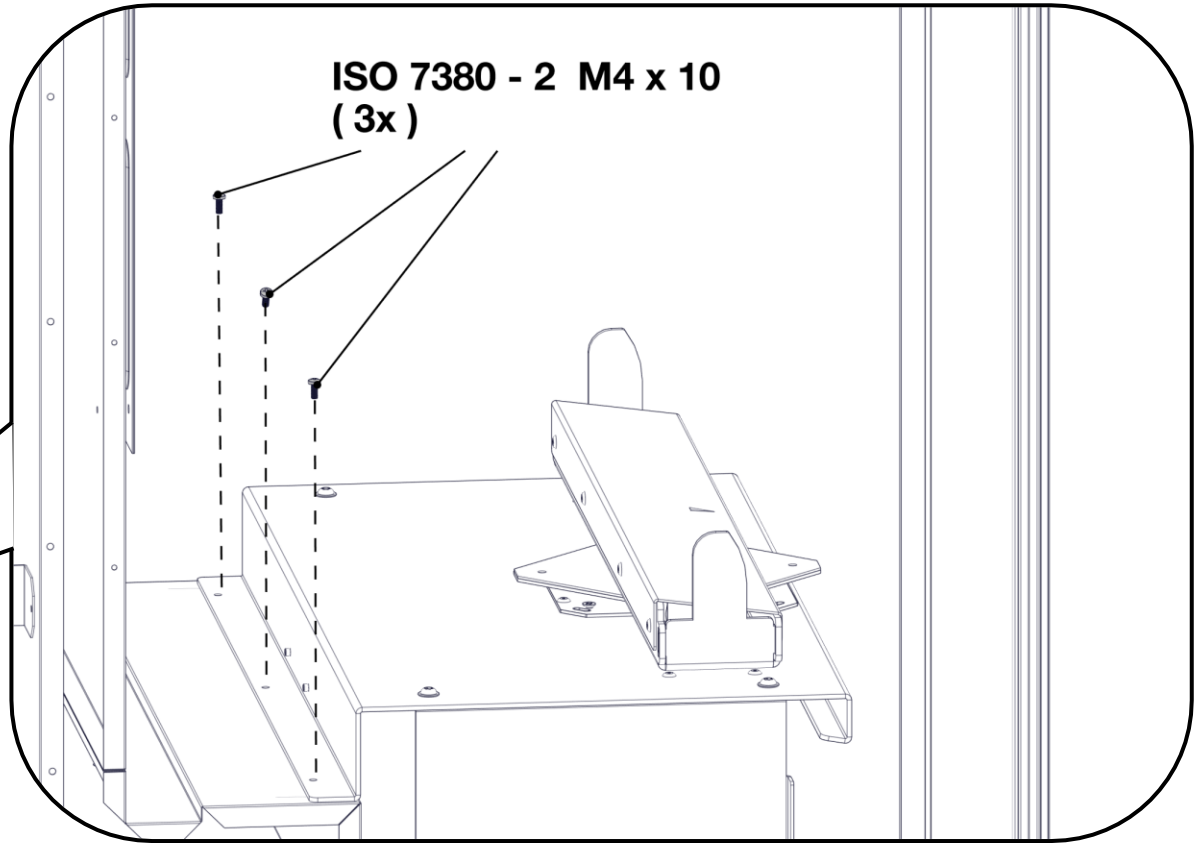
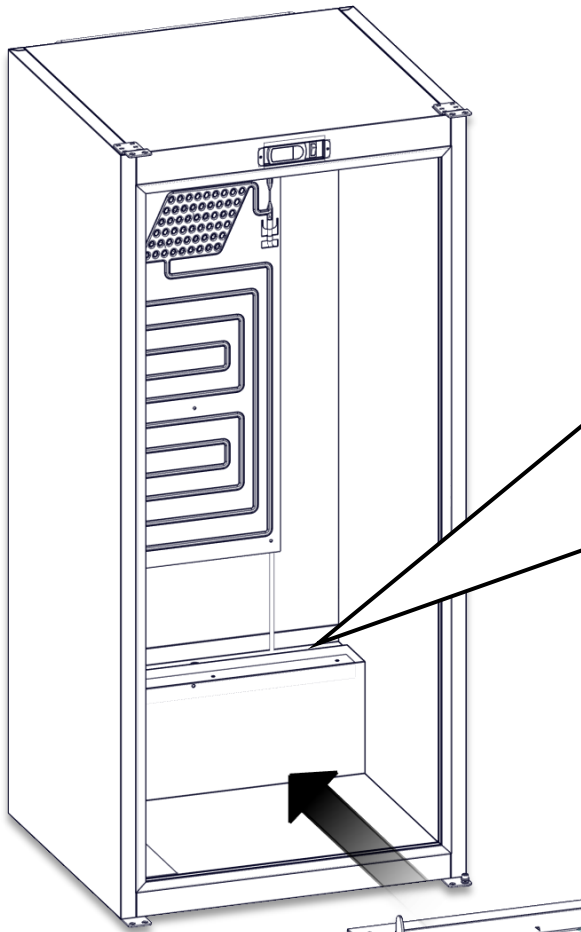
**M8 DIN 934
(2x) B**

**M10 x 40 DIN 933
C**

**0000-0006
D**

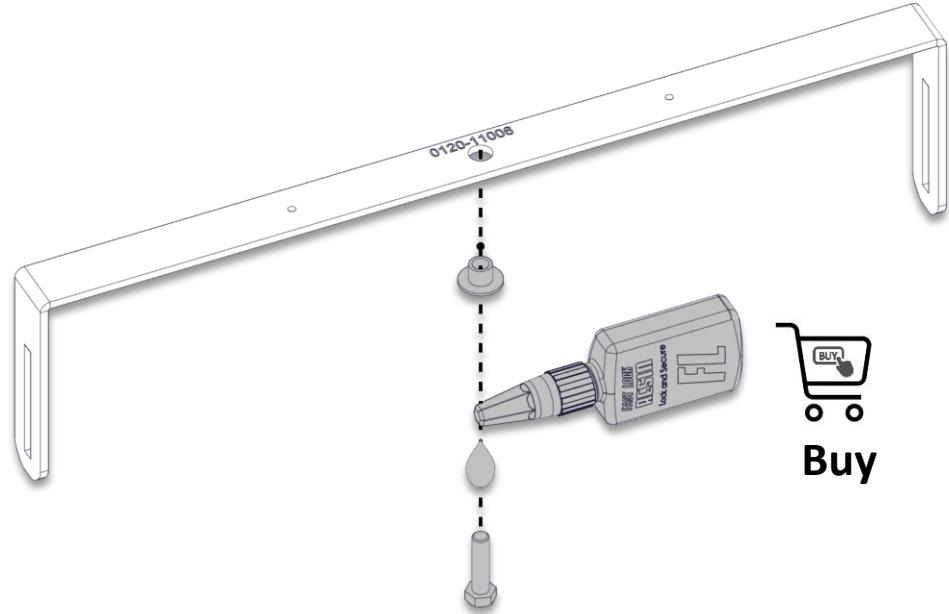
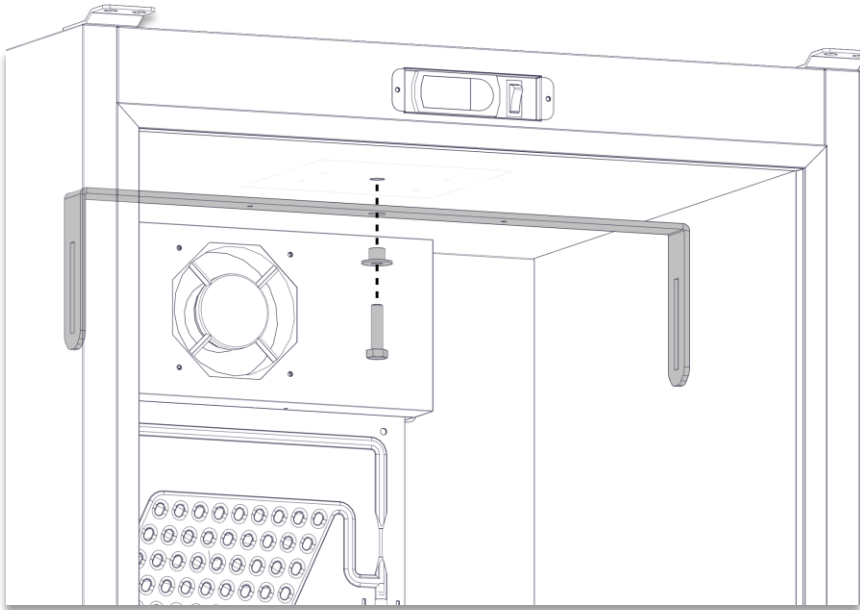
**71-25 M 6x30
E**

1



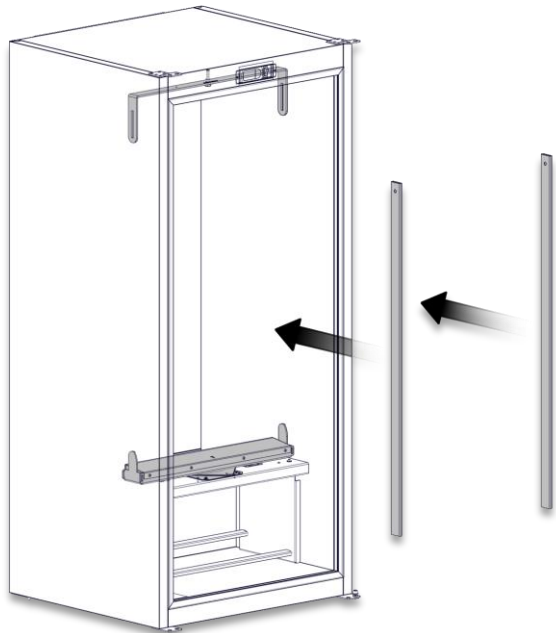
0148-03000-0 + 0120-15000-0

2

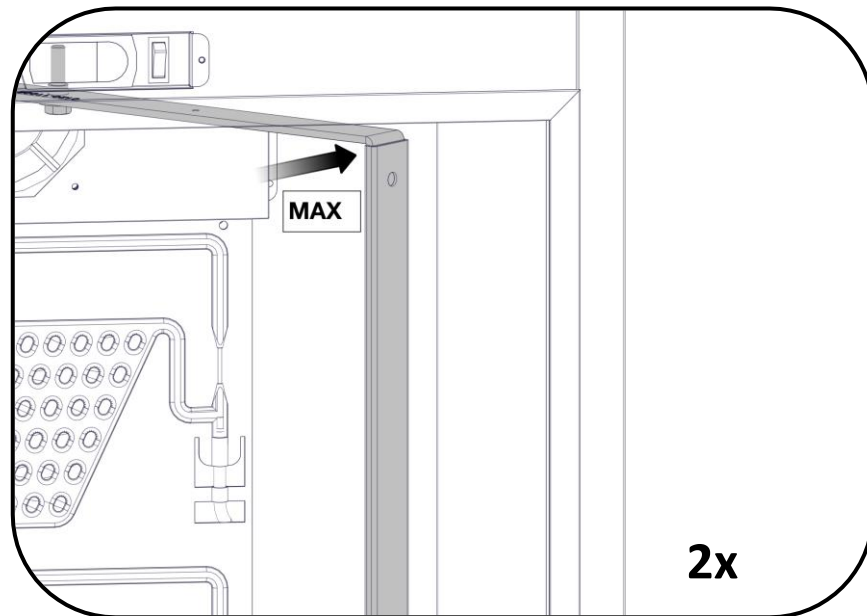
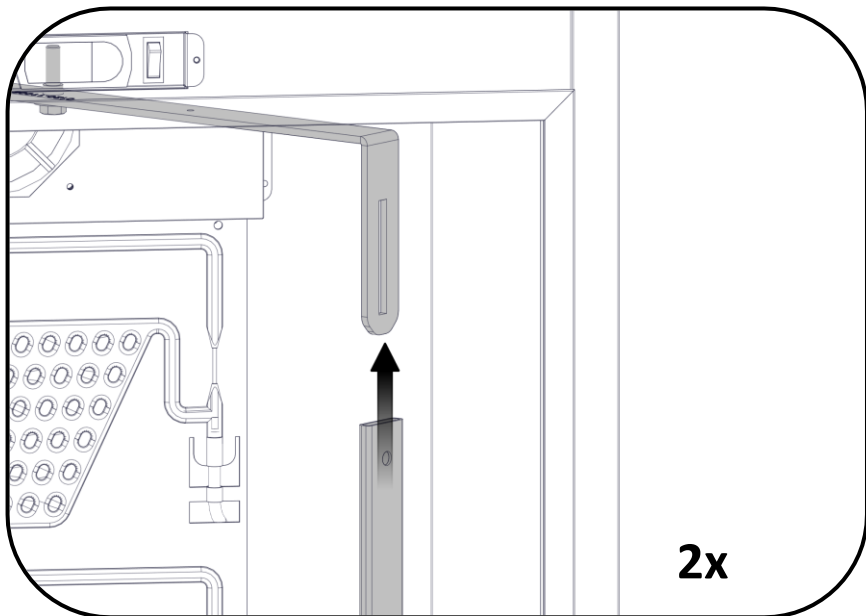
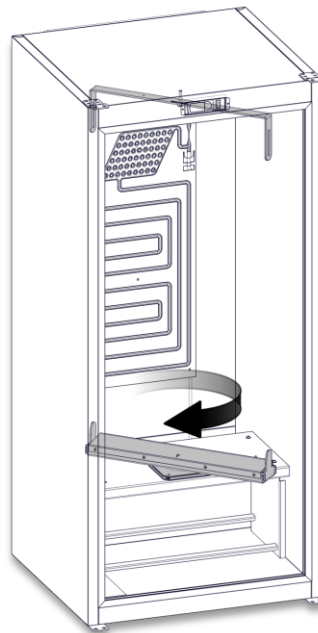


WRENCH 17

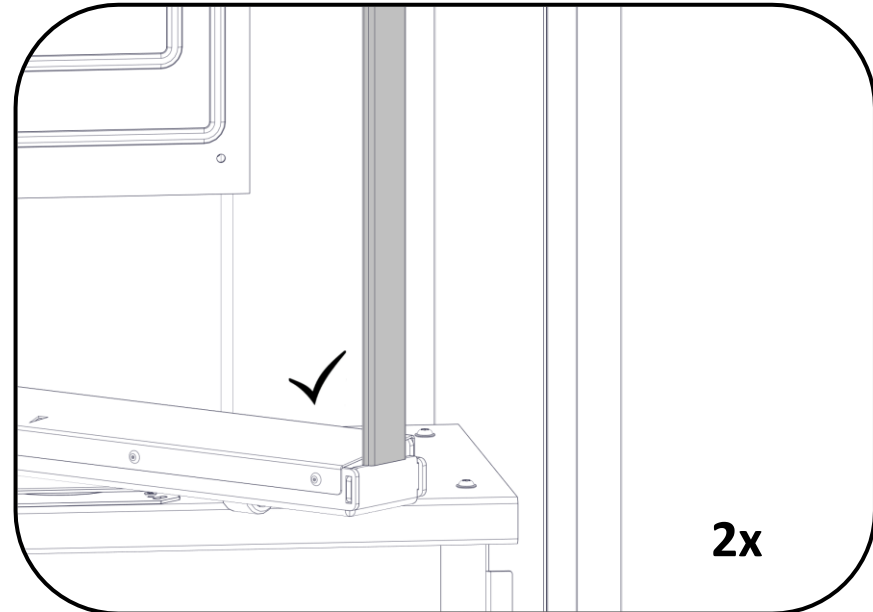
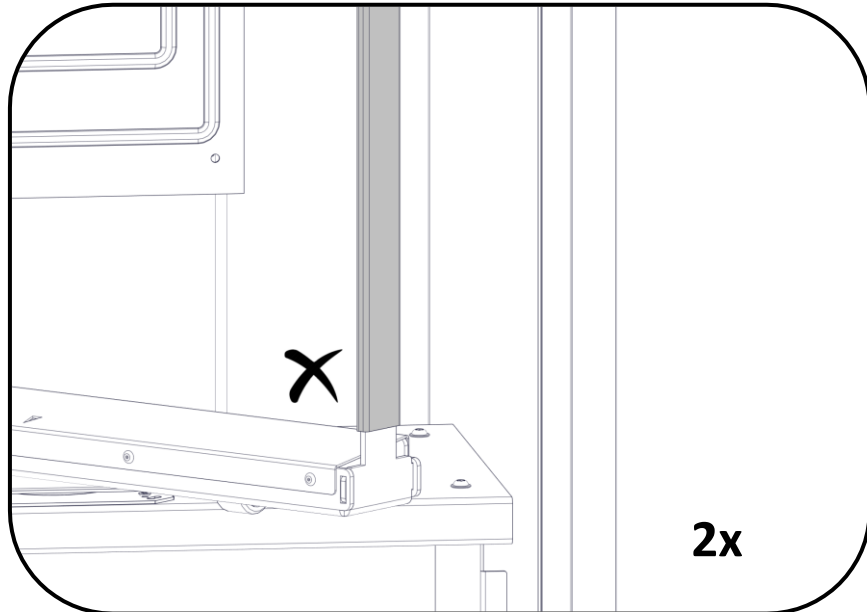
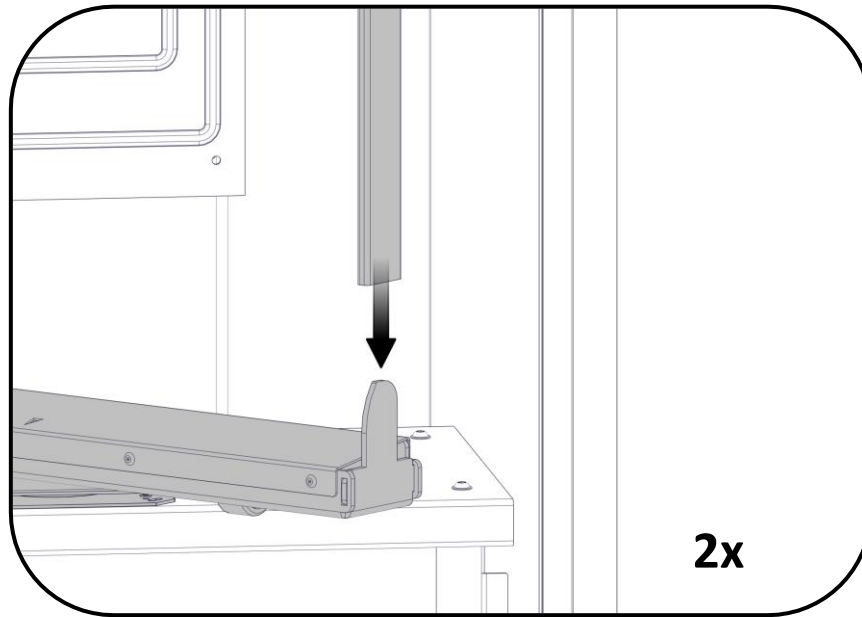
3



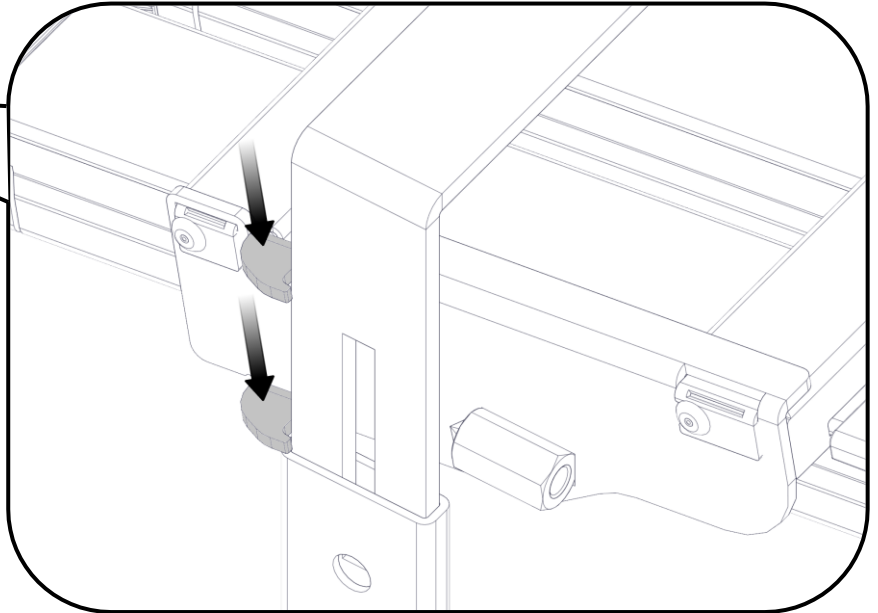
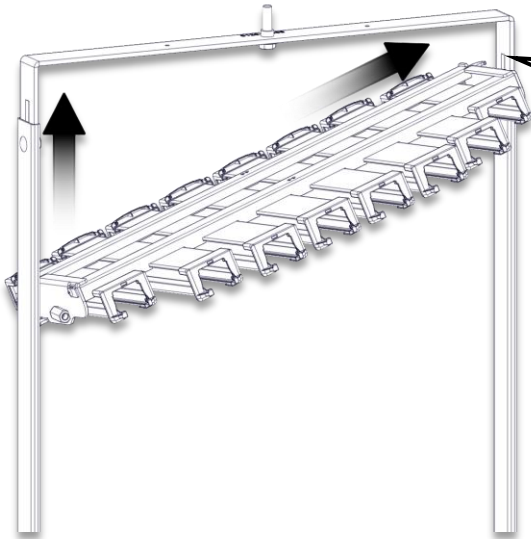
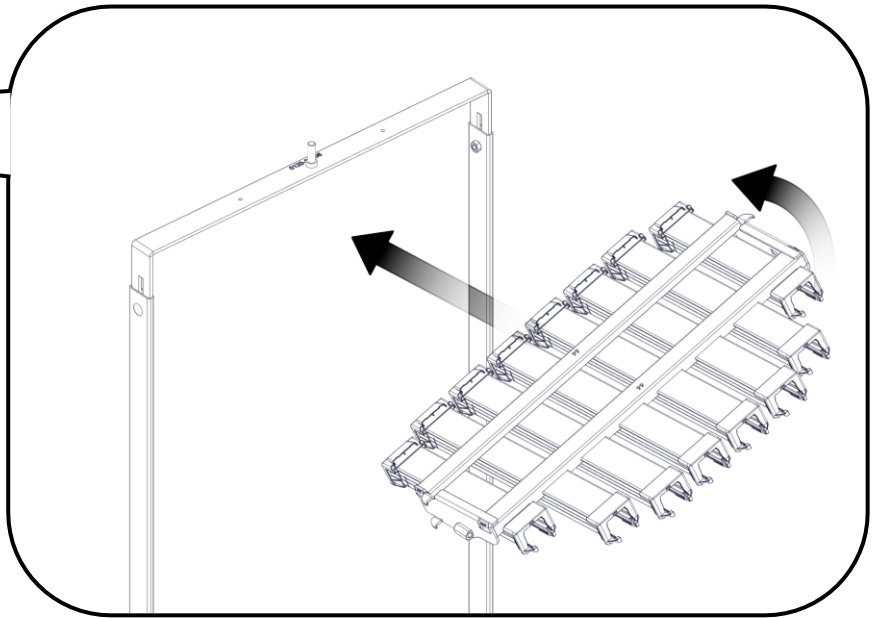
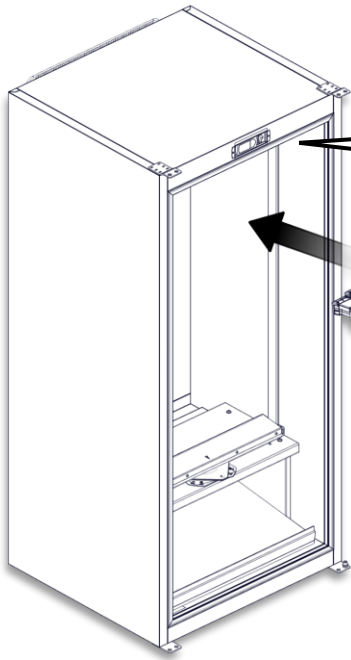
4



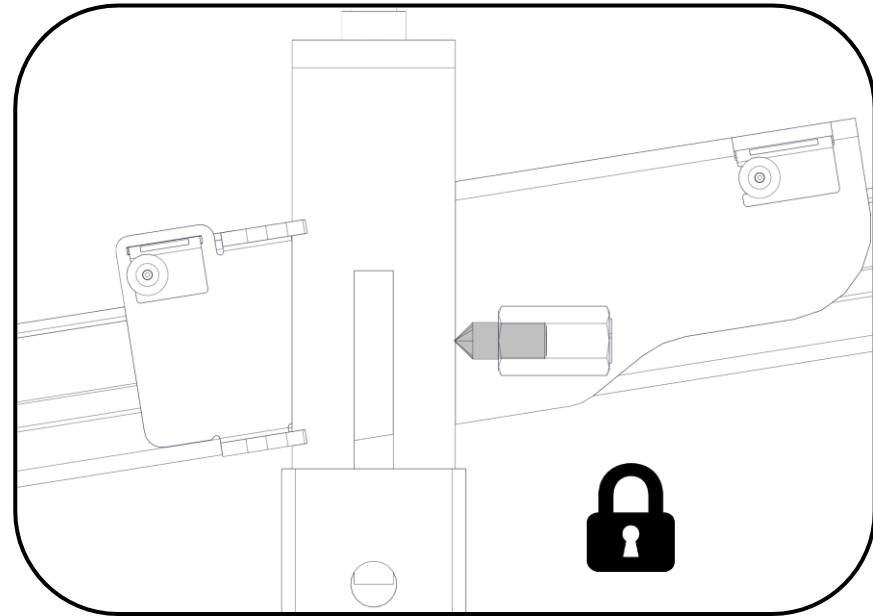
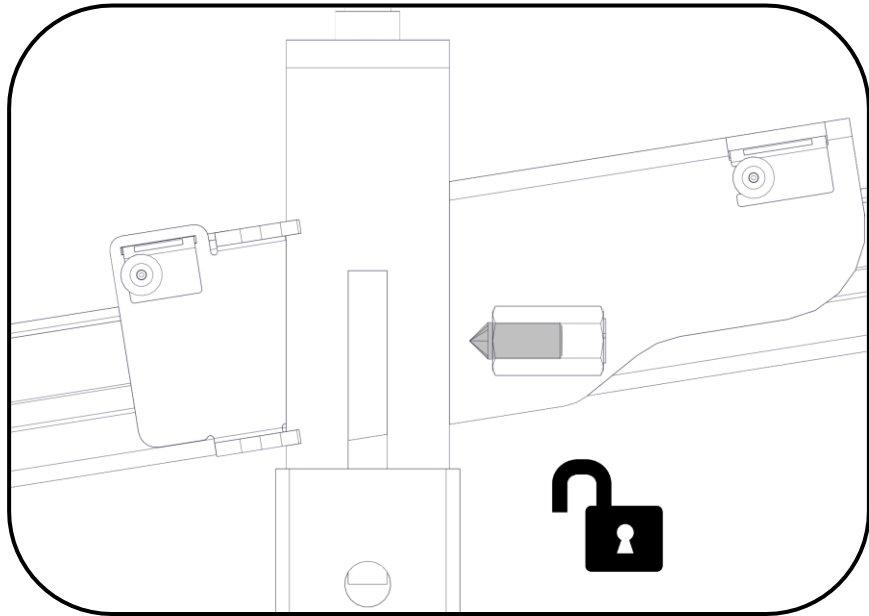
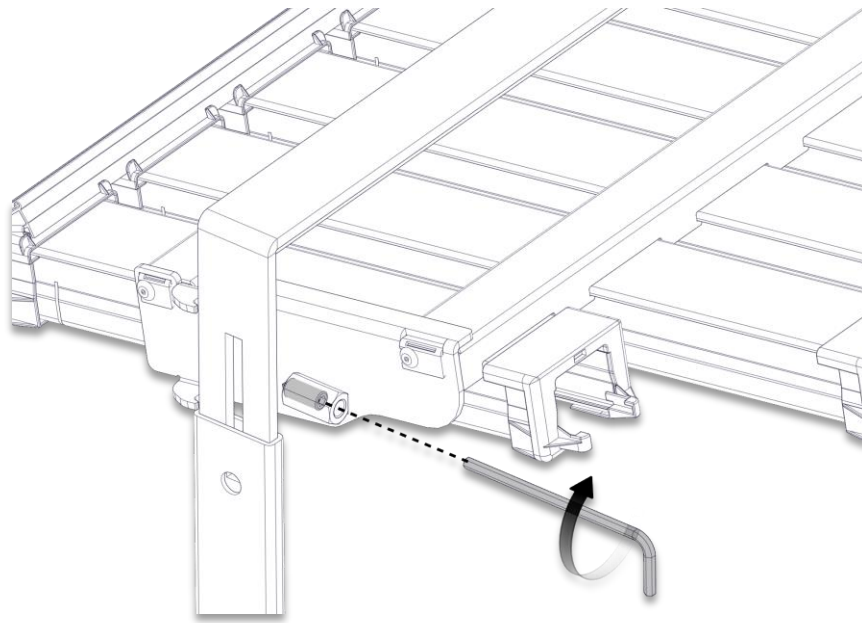
5



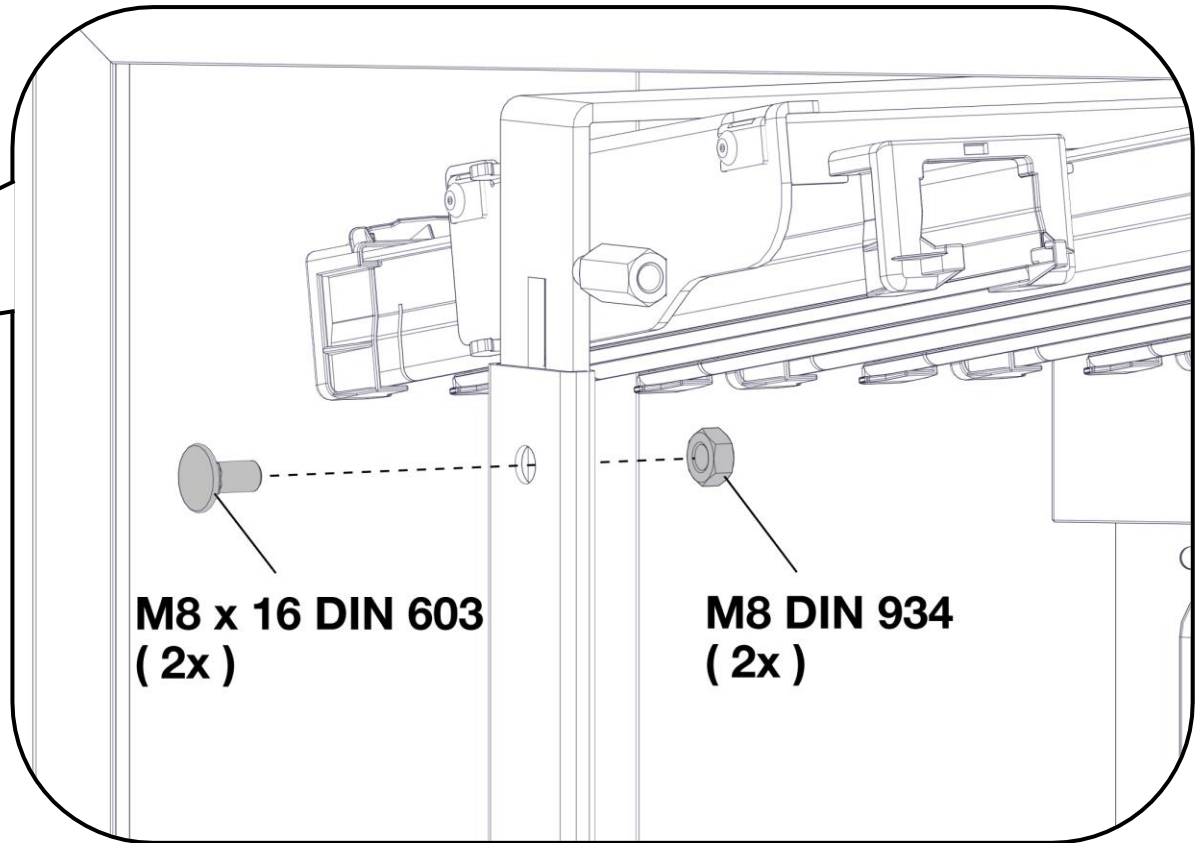
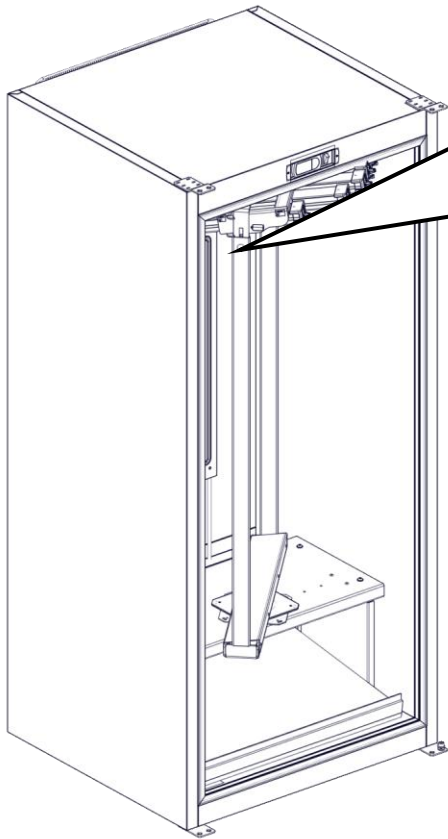
6



7

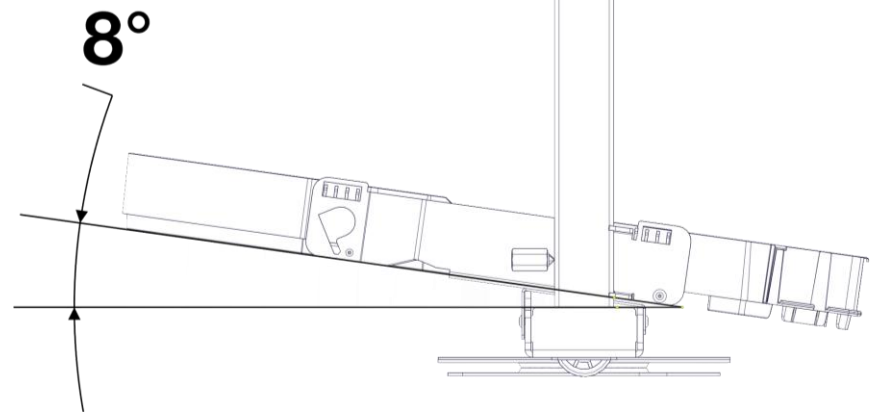
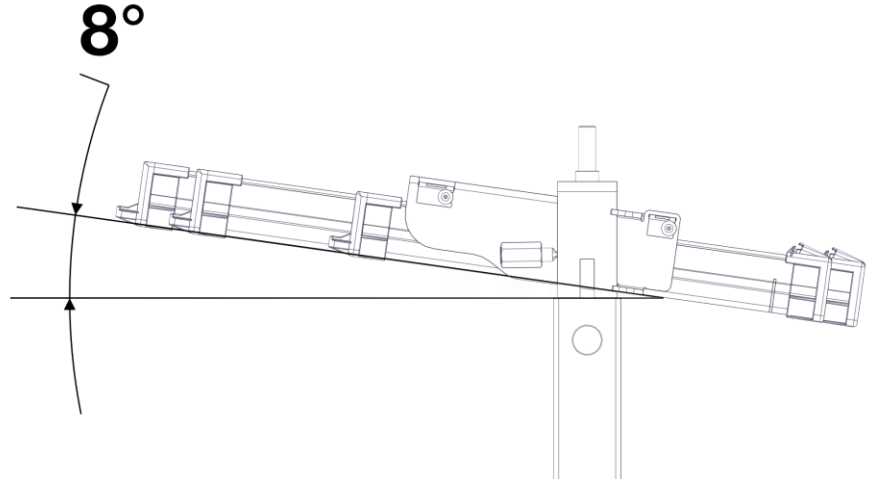
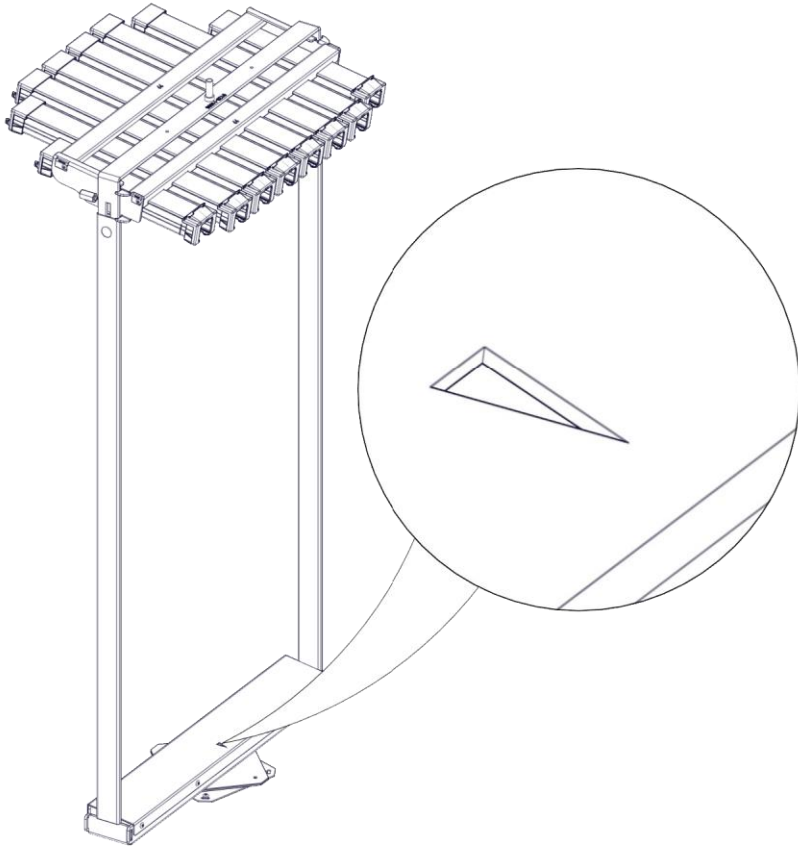


8

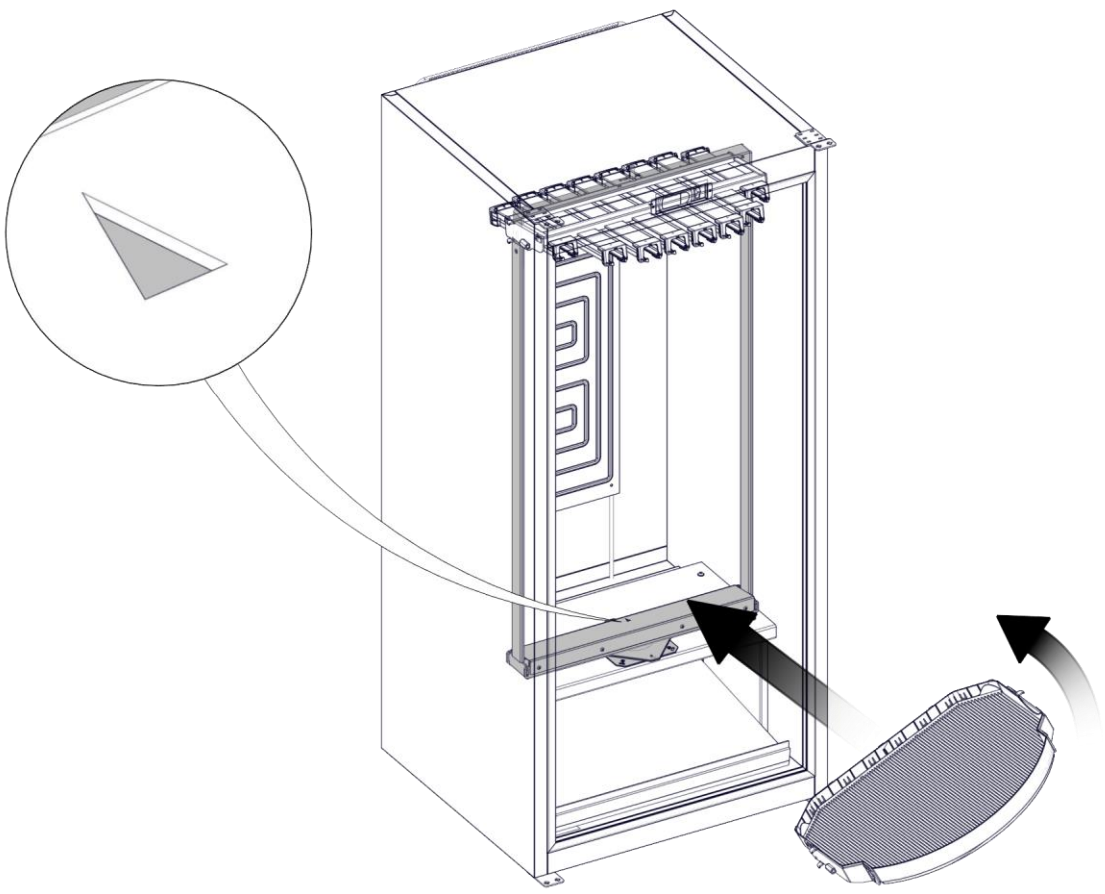


WRENCH 13

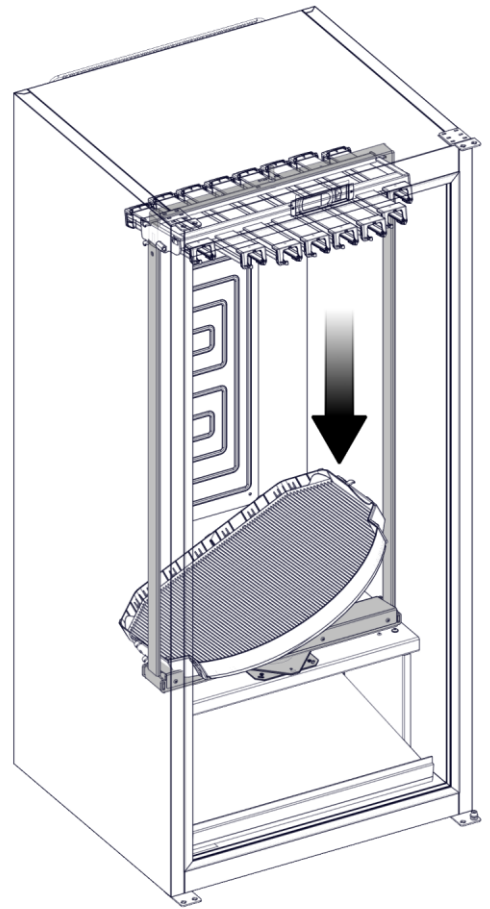
9



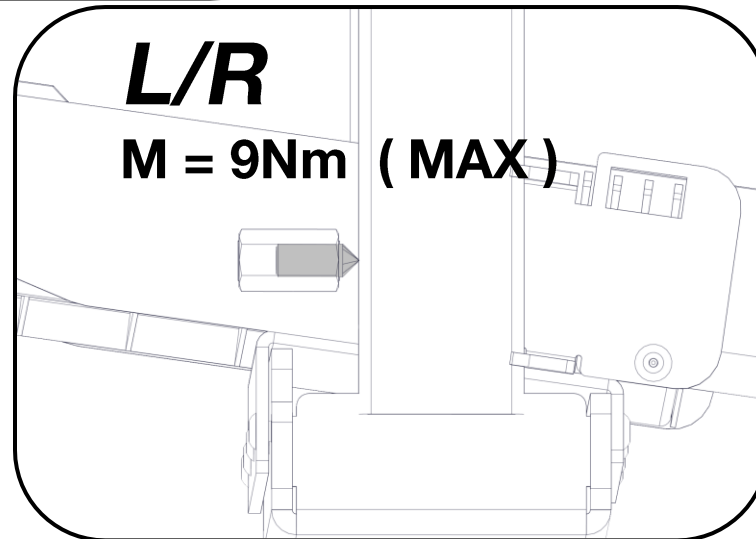
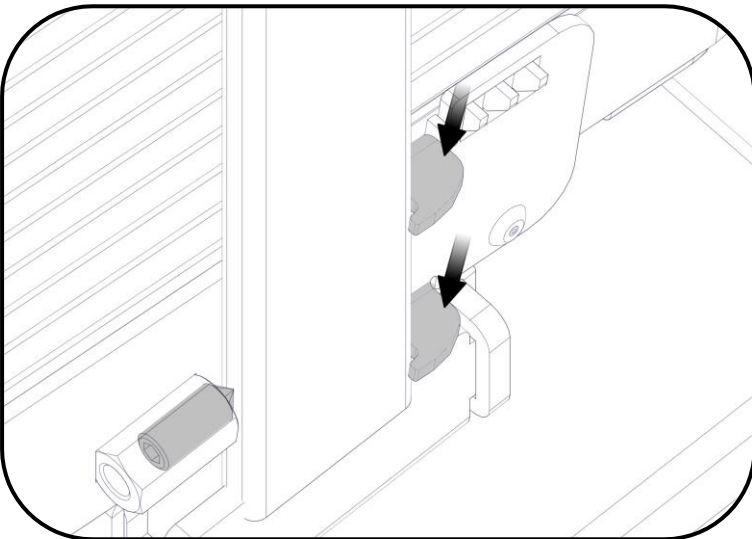
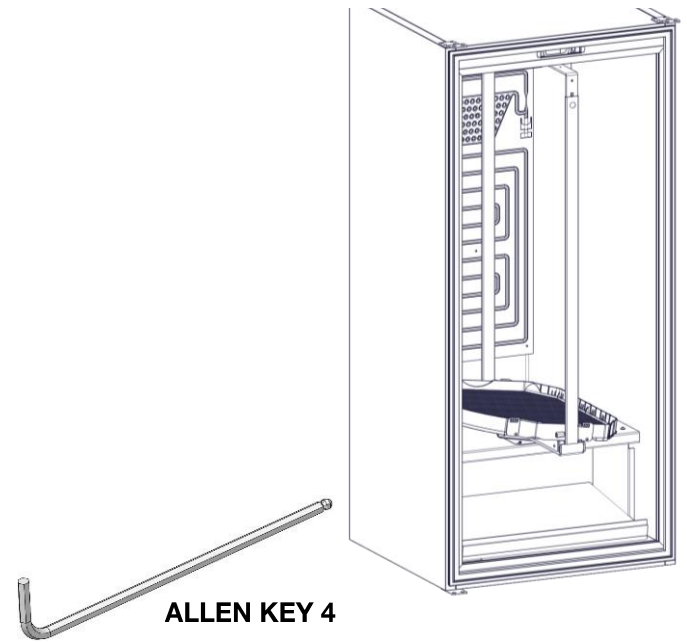
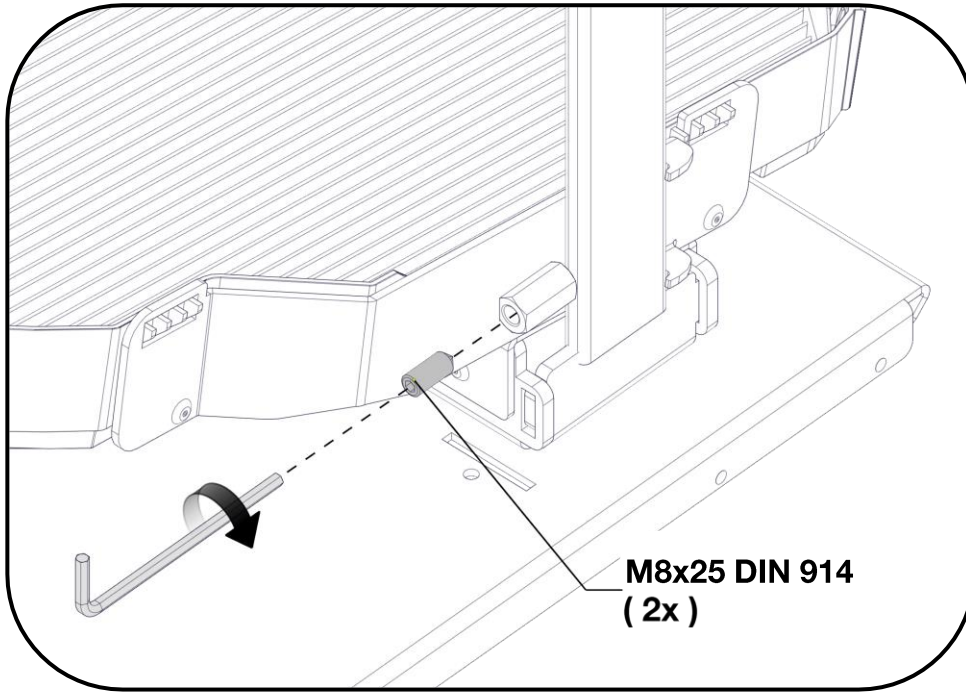
10



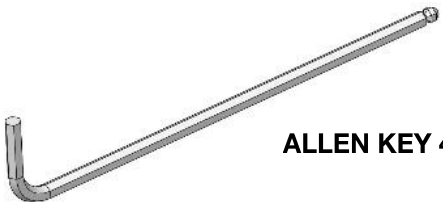
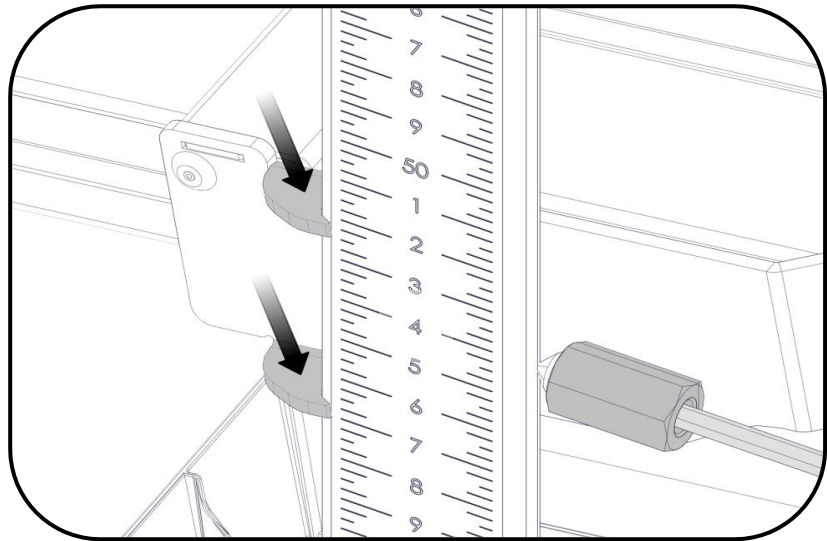
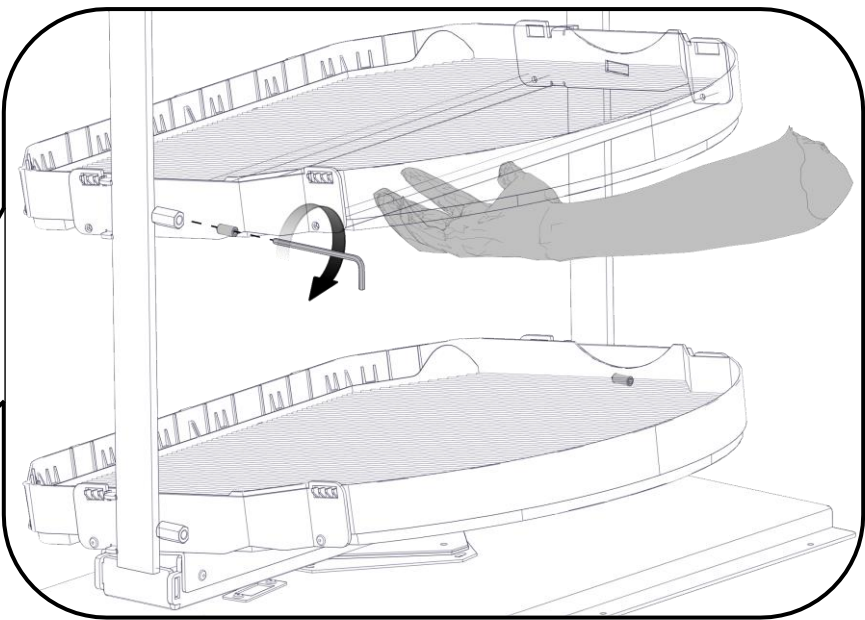
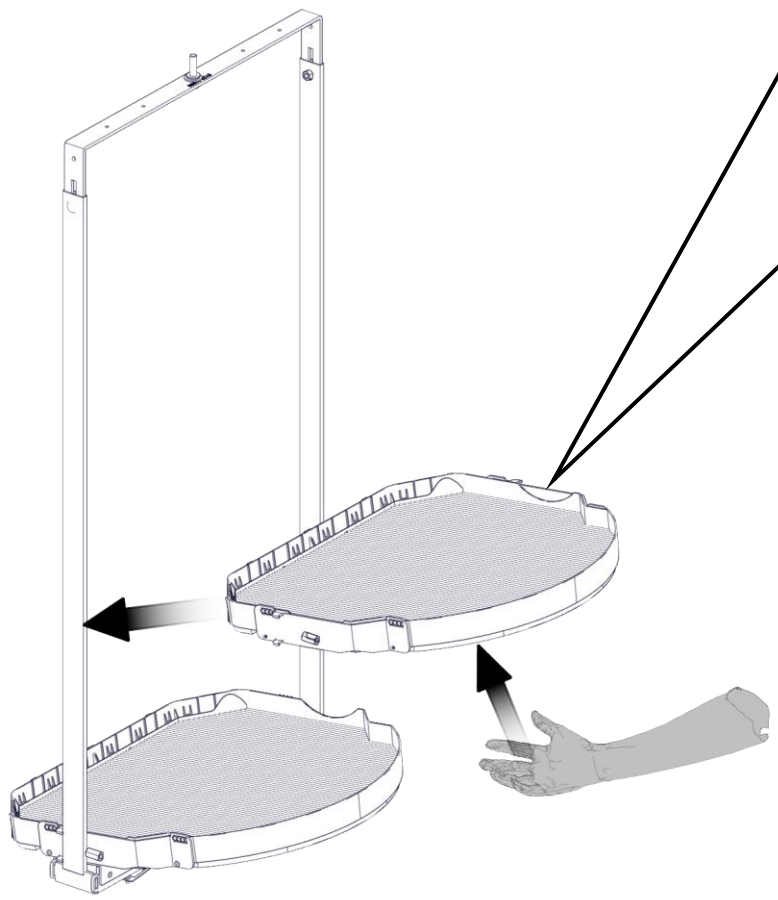
11



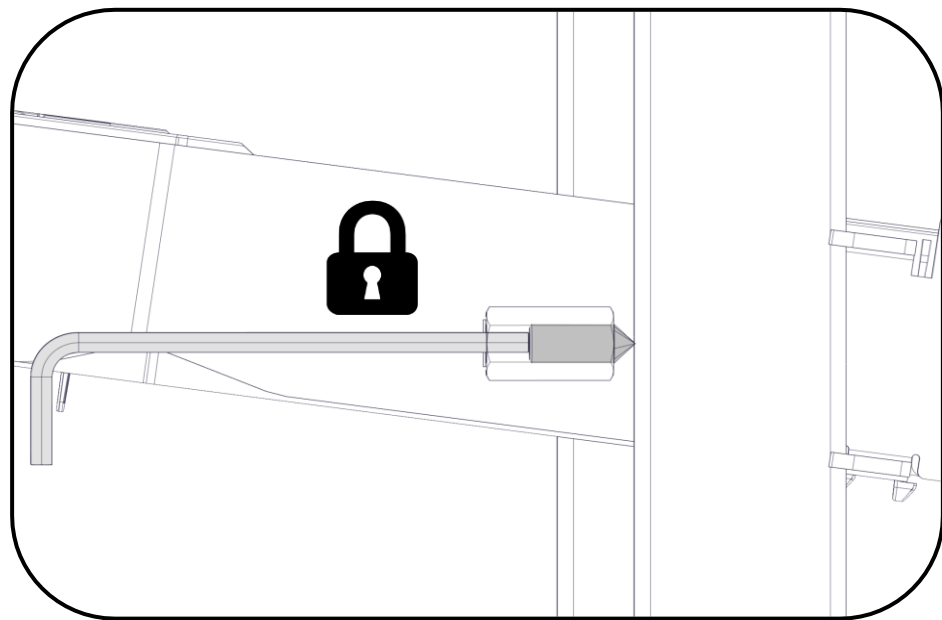
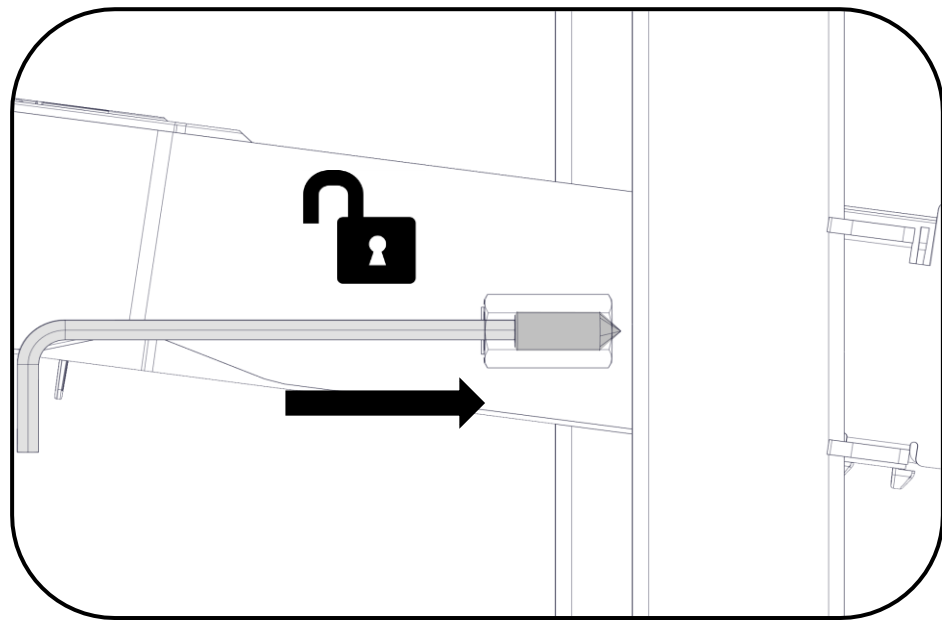
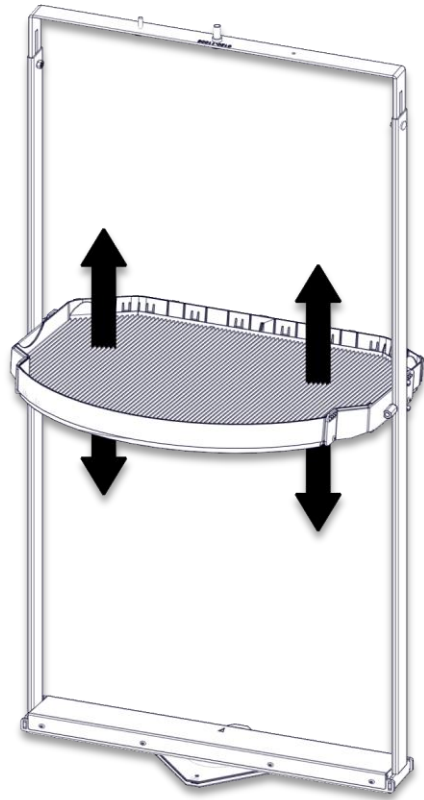
12

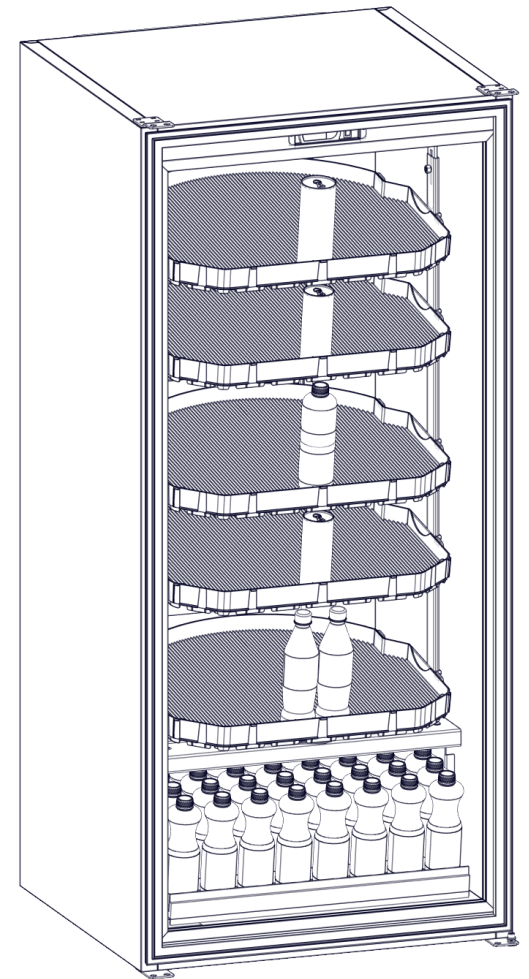
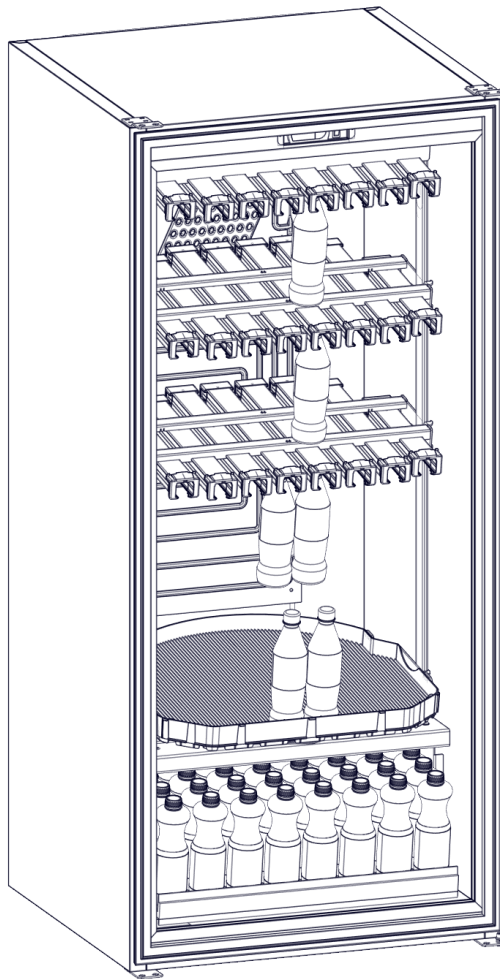
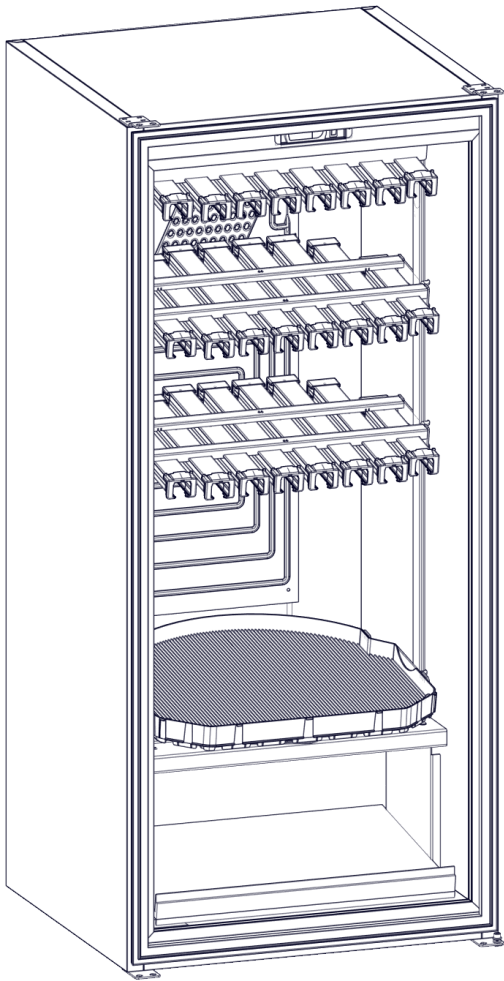


13

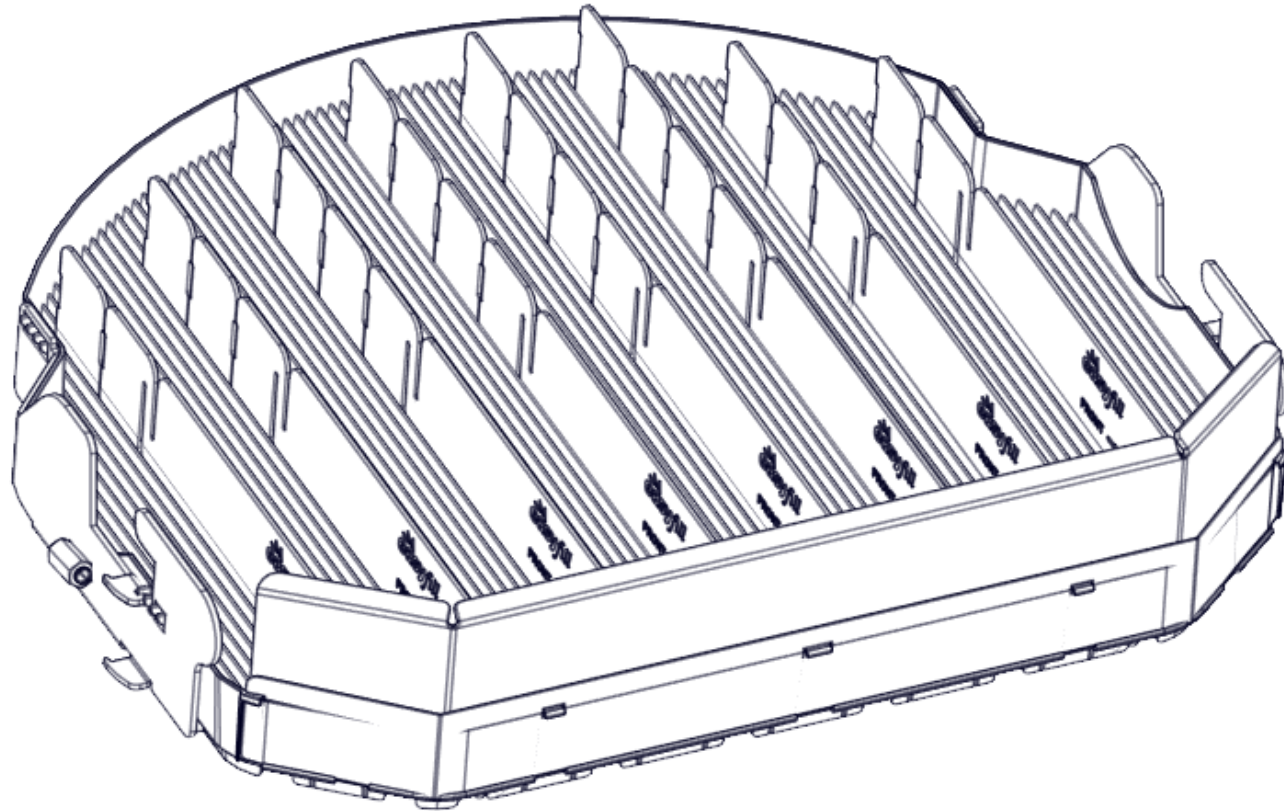


ALLEN KEY 4





UNIVERSAL SHELF 70 - Art. NO 0120-29000-0

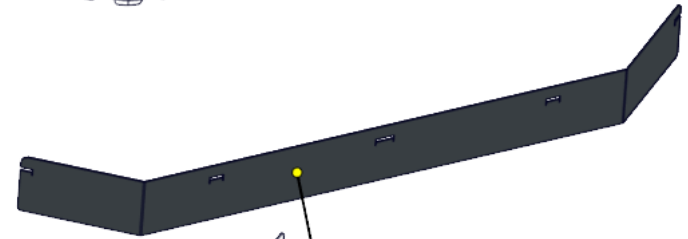
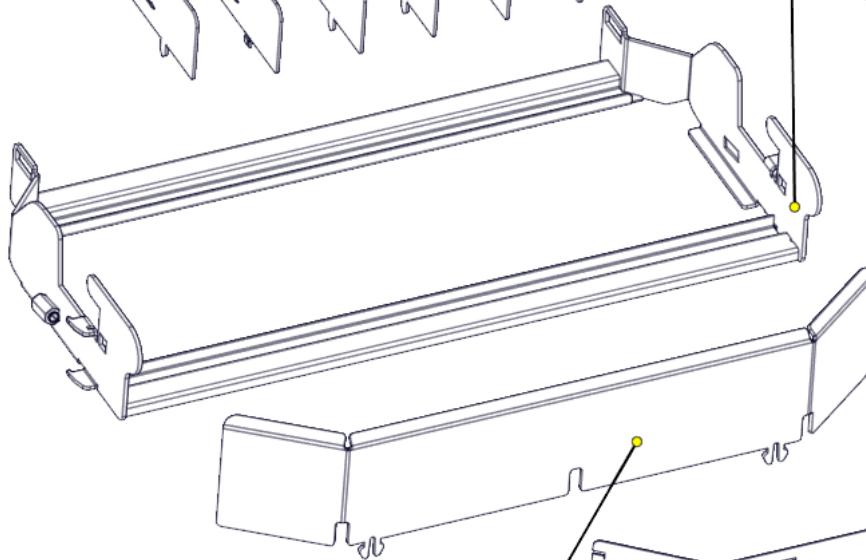
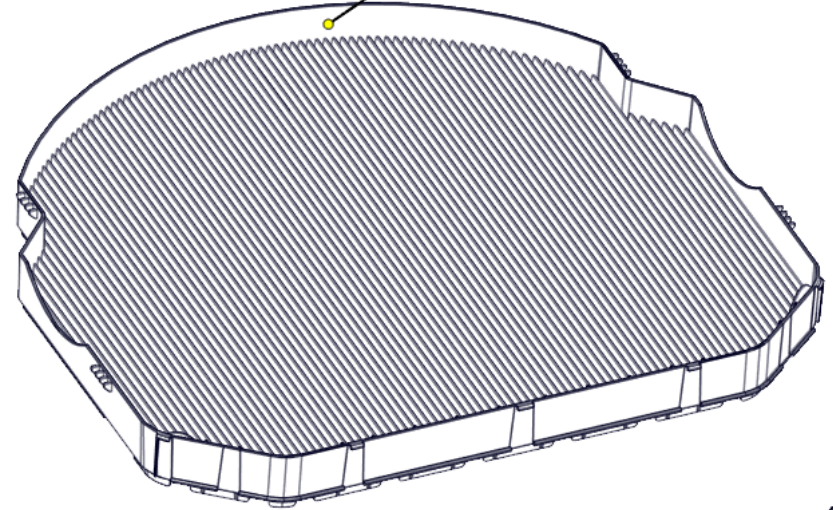
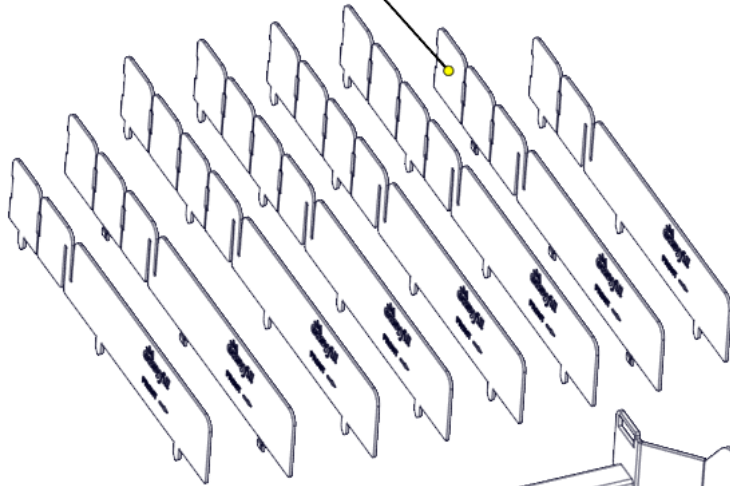


UNIVERSAL SHELF 70 – Art. NO 0120-29000-0

Divider Uni 70-90
Art. No 400393

Shelf Housing
Art. NO 0120-29100-0

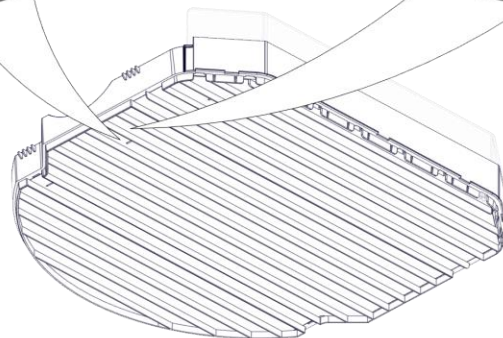
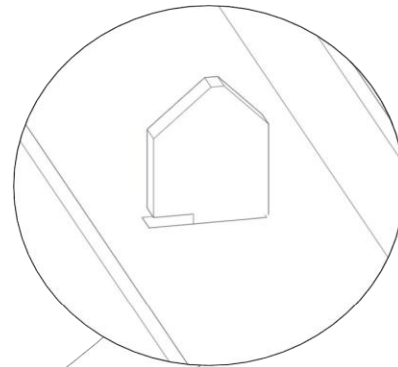
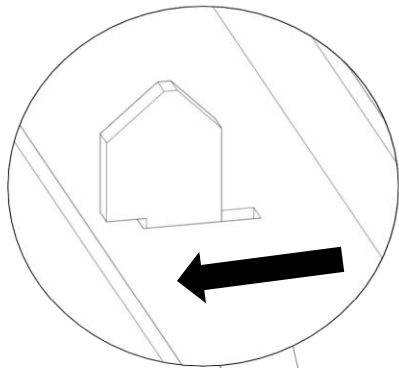
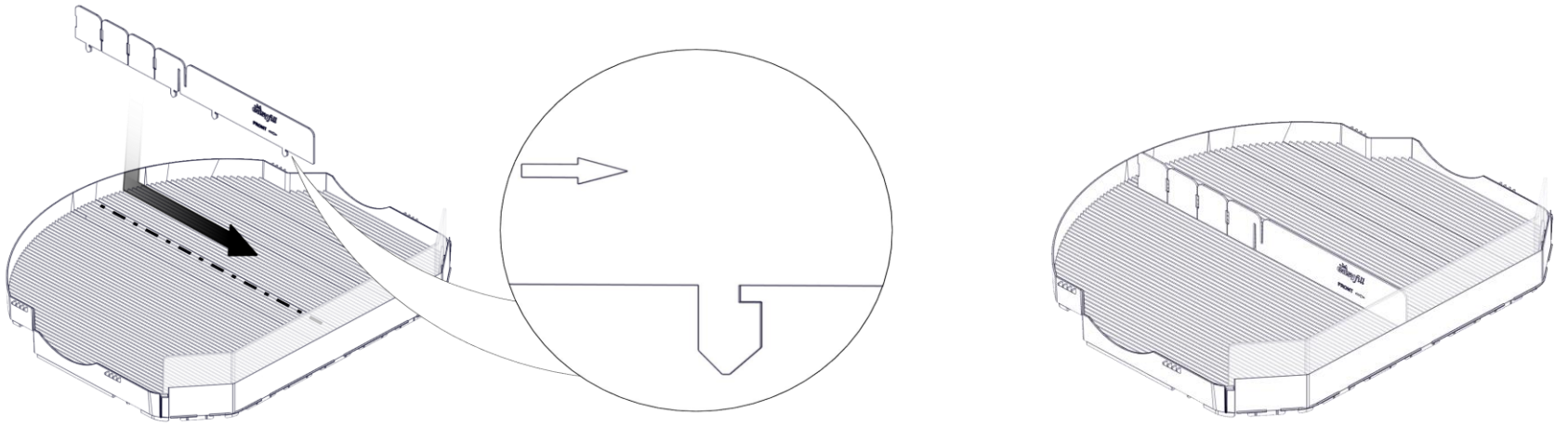
Shelf UNI 70
Art. NO 400418

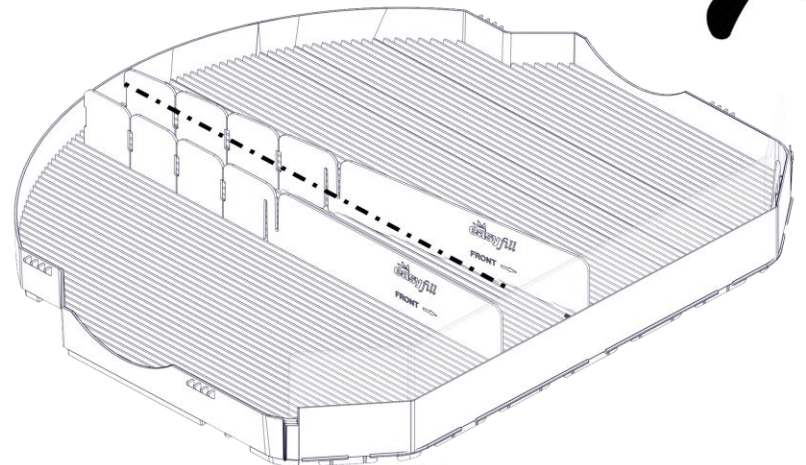
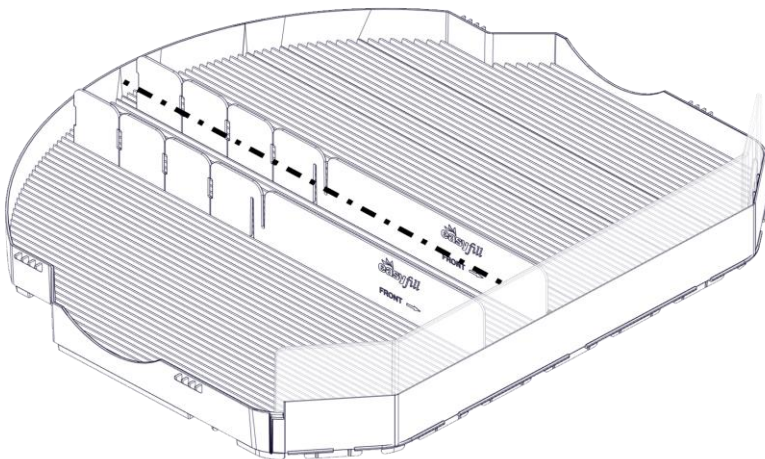
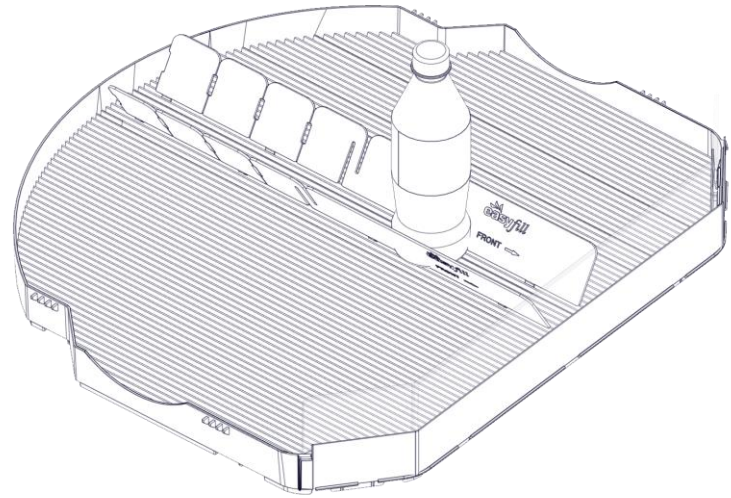
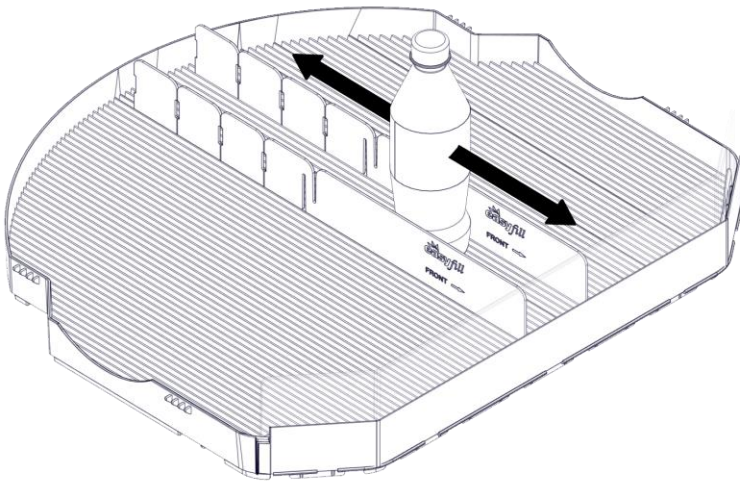


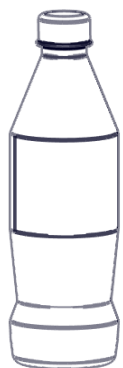
Frontstopper UNI 70 - H 100
Art. NO 0070-00100

PETG-SHELF TALKER 50 mm
Art. NO 0201-00010-0

Insert stripes
Art. NO 08-0010-1



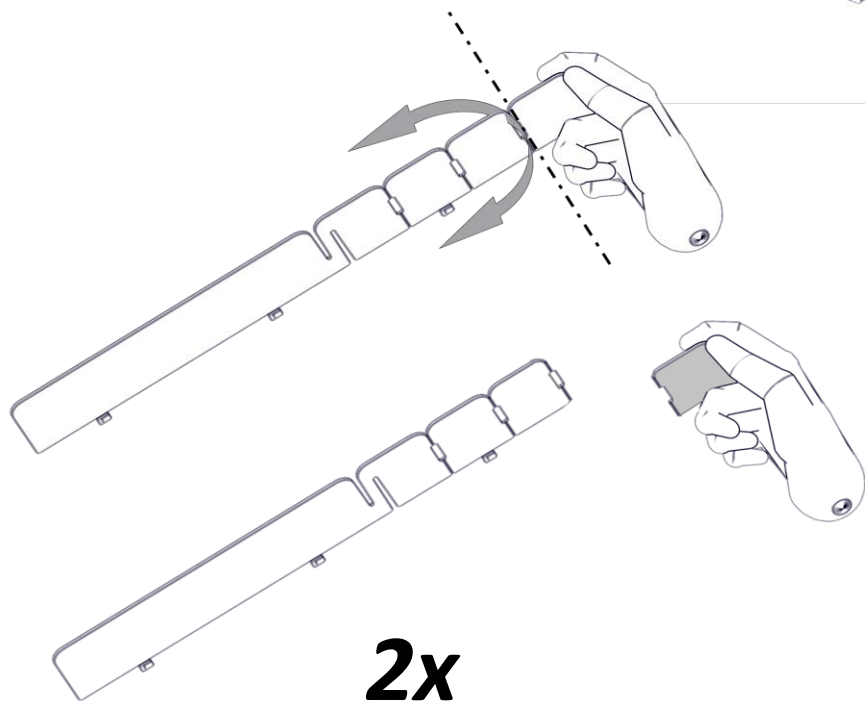
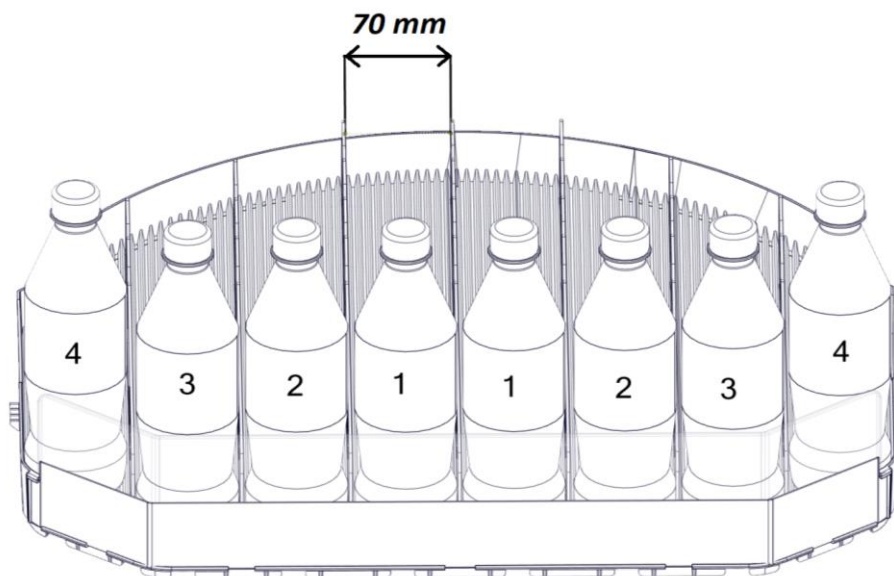
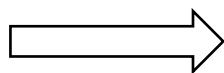




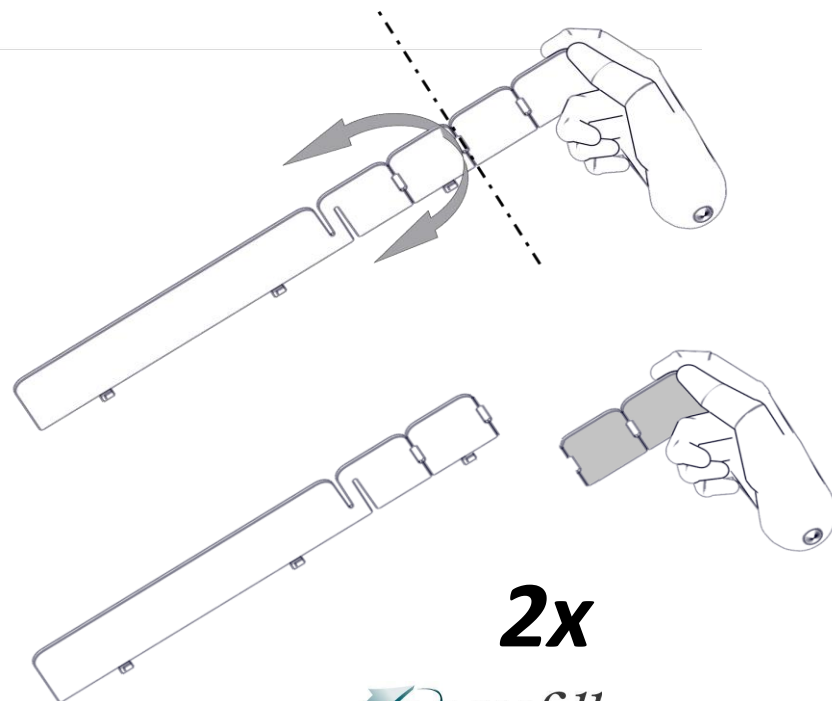
6, **8**, 10, 12

8 x 0,5 L

\varnothing 66 mm

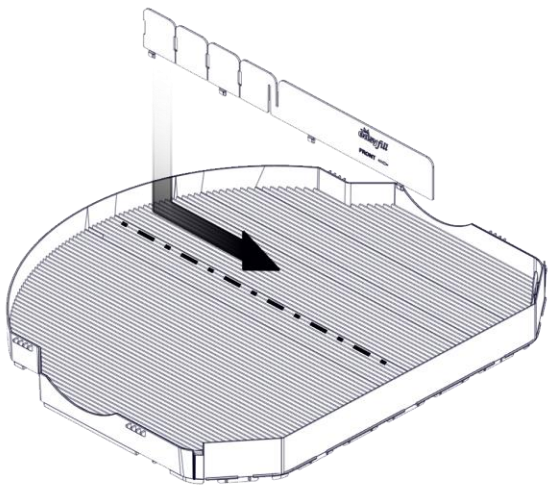


2x

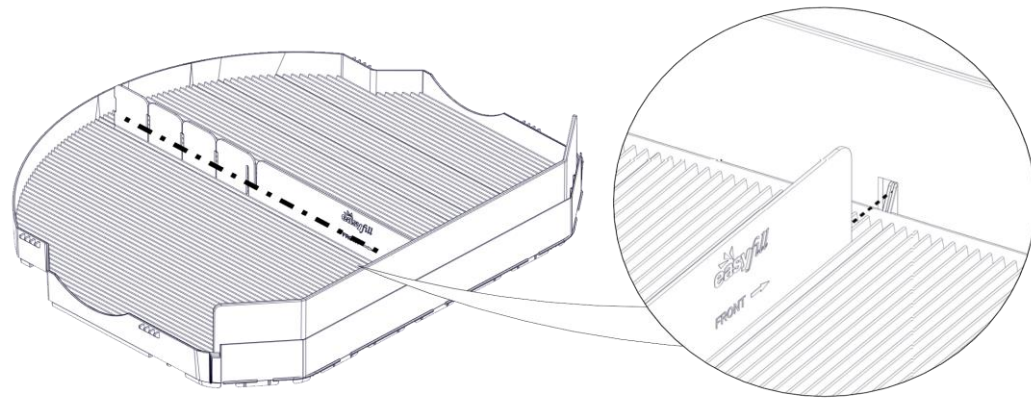


2x

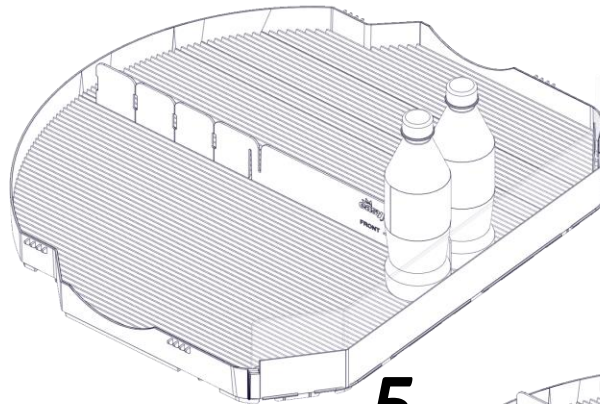
1



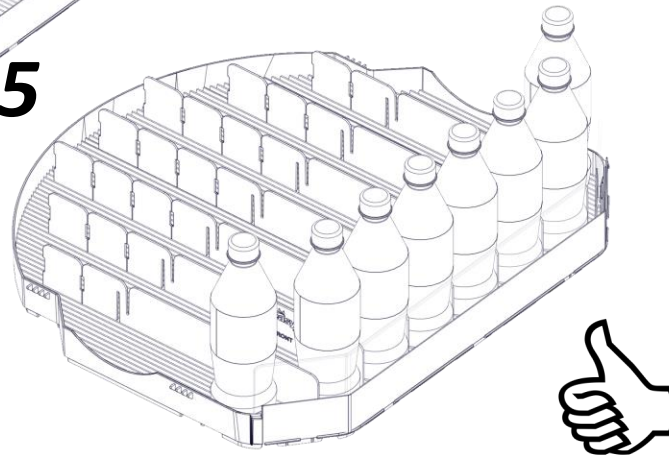
2



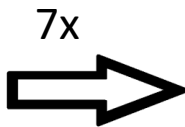
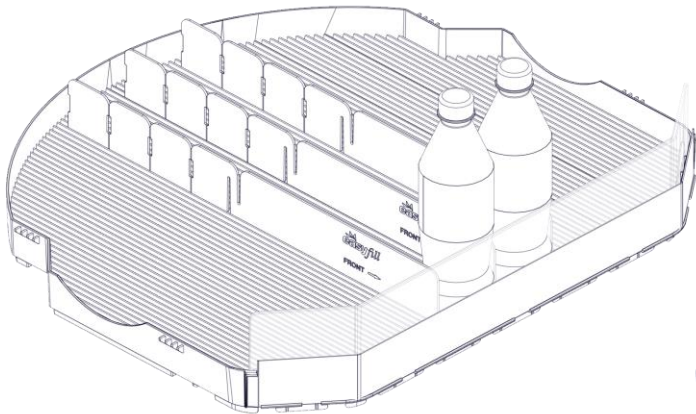
3

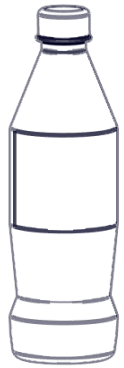


5



4

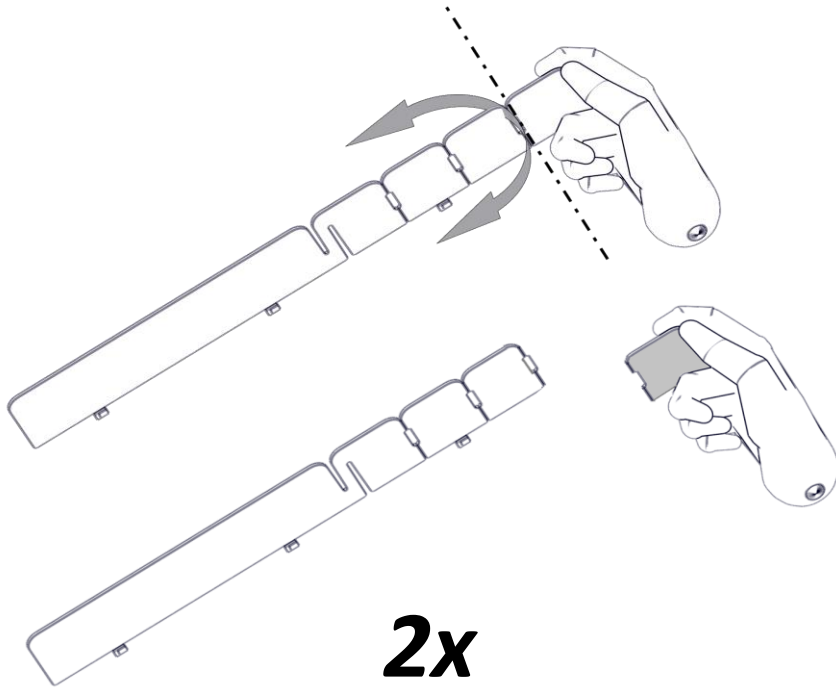
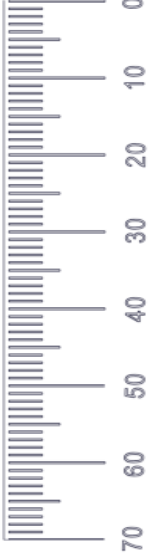
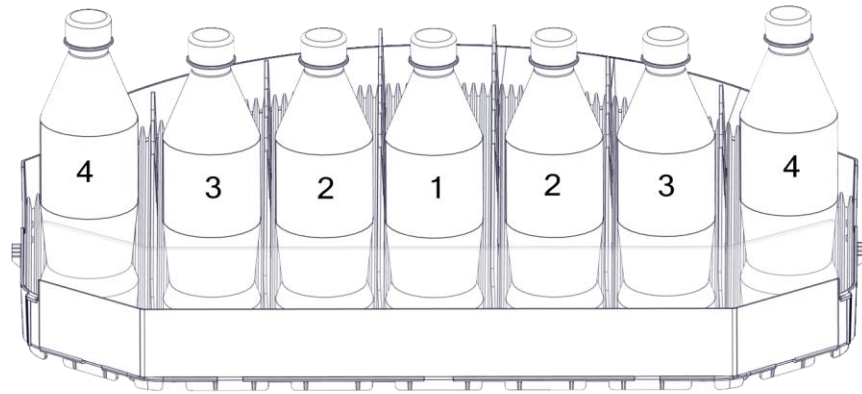




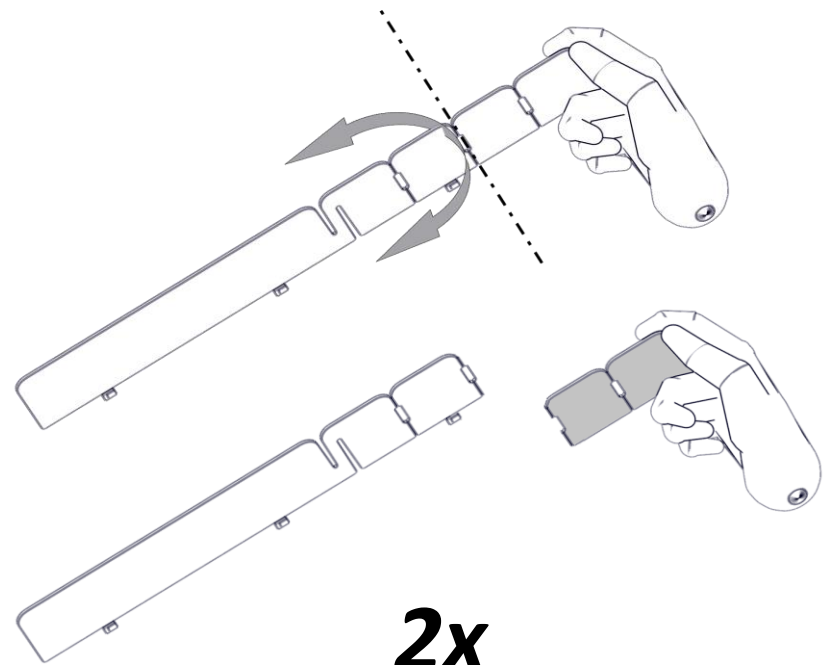
5, **7**, 9, 11

7 x 0,7 L

Ø 73 mm

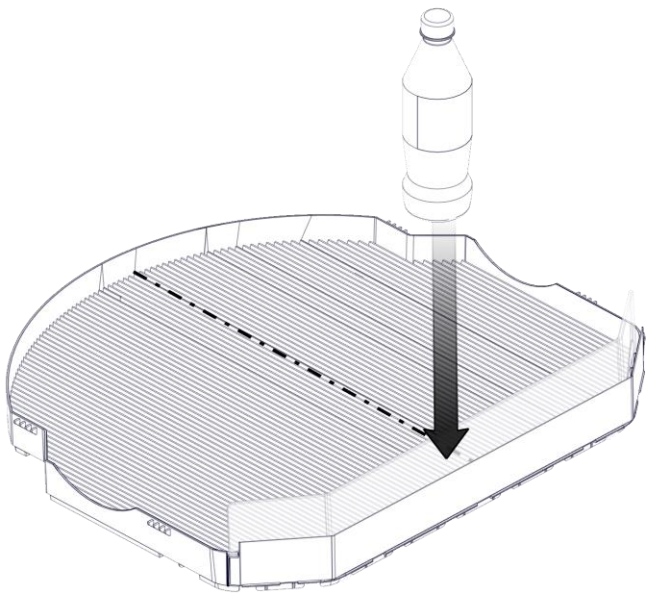


2x

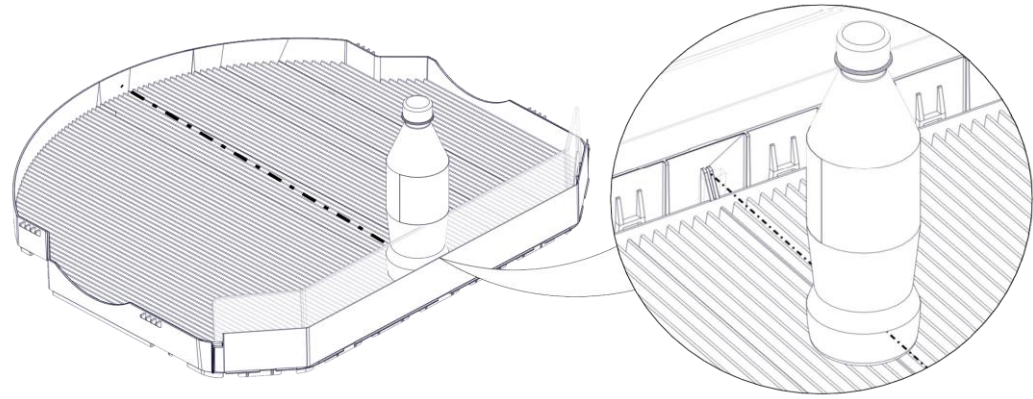


2x

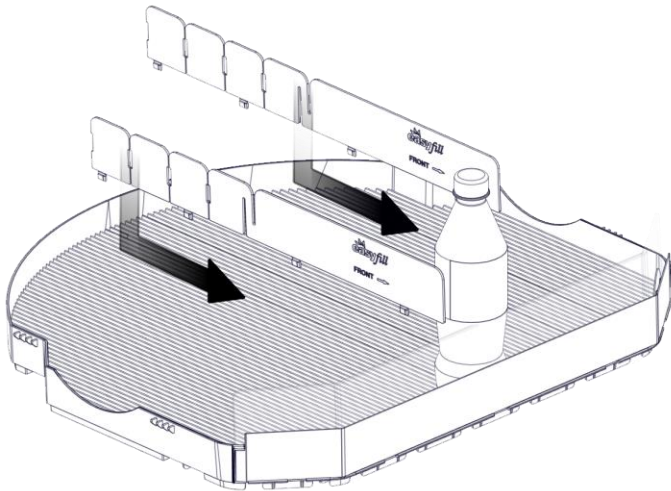
1



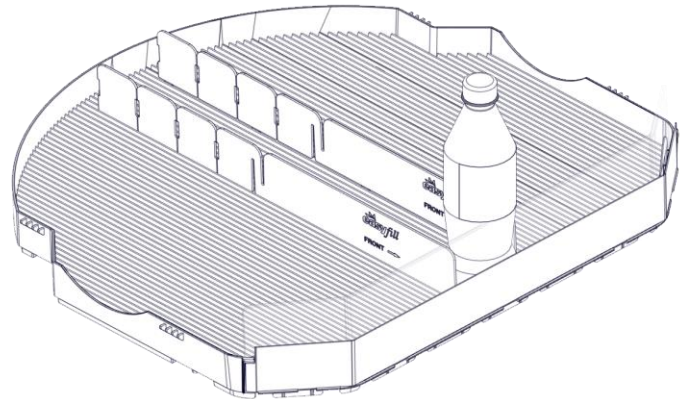
2



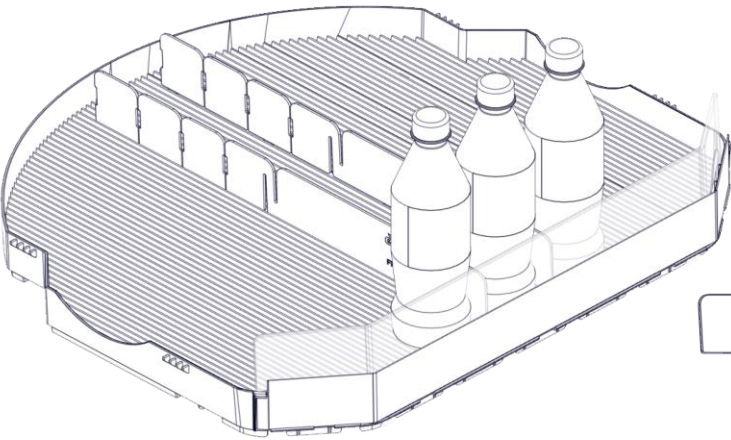
3



4



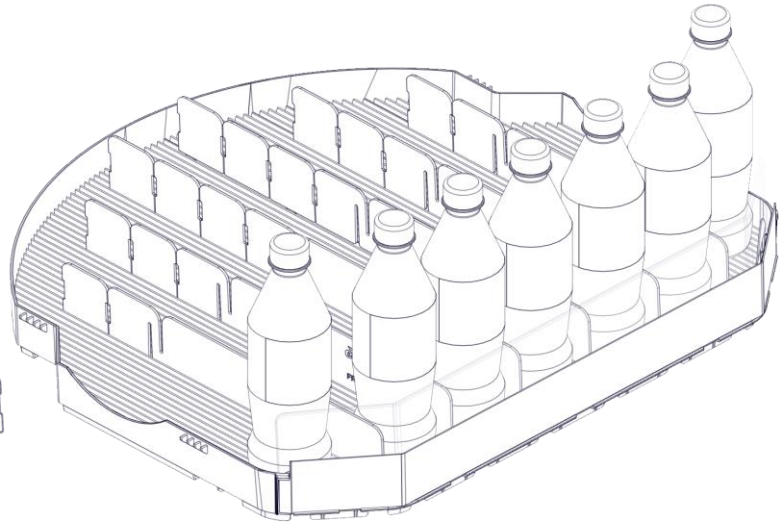
5

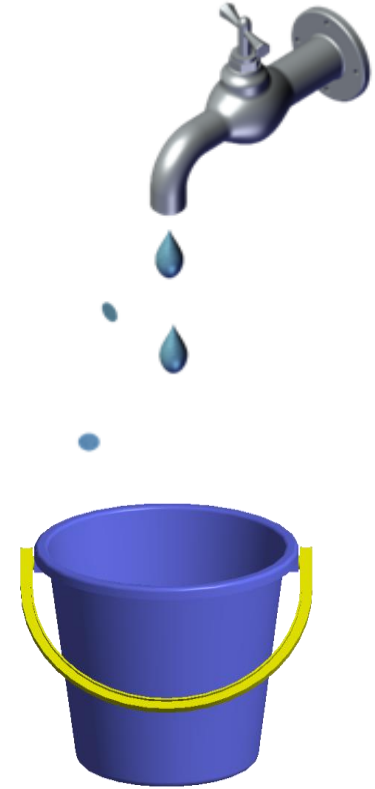
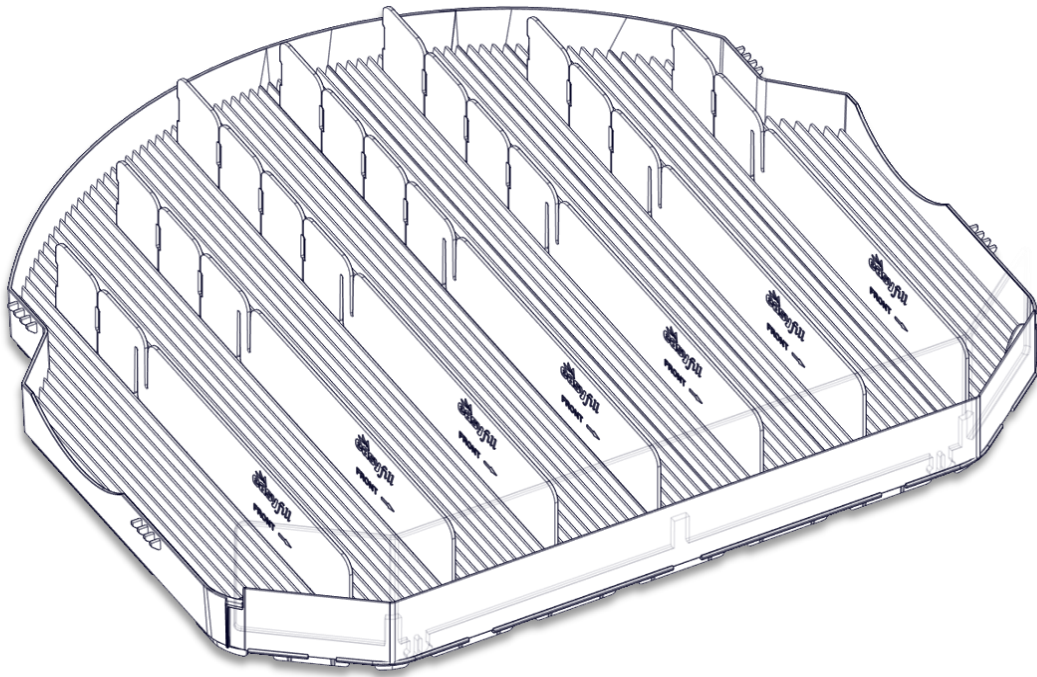


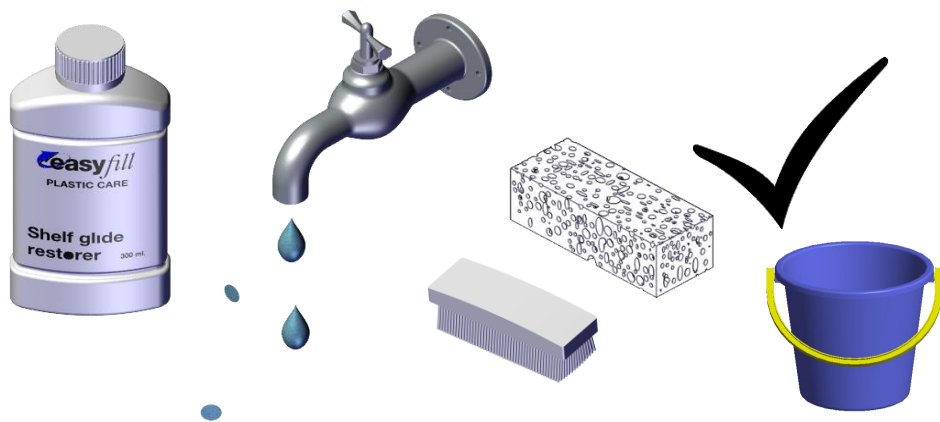
6x



6







1



2



Thanks!
www.easyfill.se

ALL PICTURES SHOWN ARE FOR ILLUSTRATION PURPOSE ONLY.
ACTUAL PRODUCT MAY VARY DUE TO PRODUCT ENHANCEMENT.
ALL CHANGES ARE RESERVED BY EASYFILL.